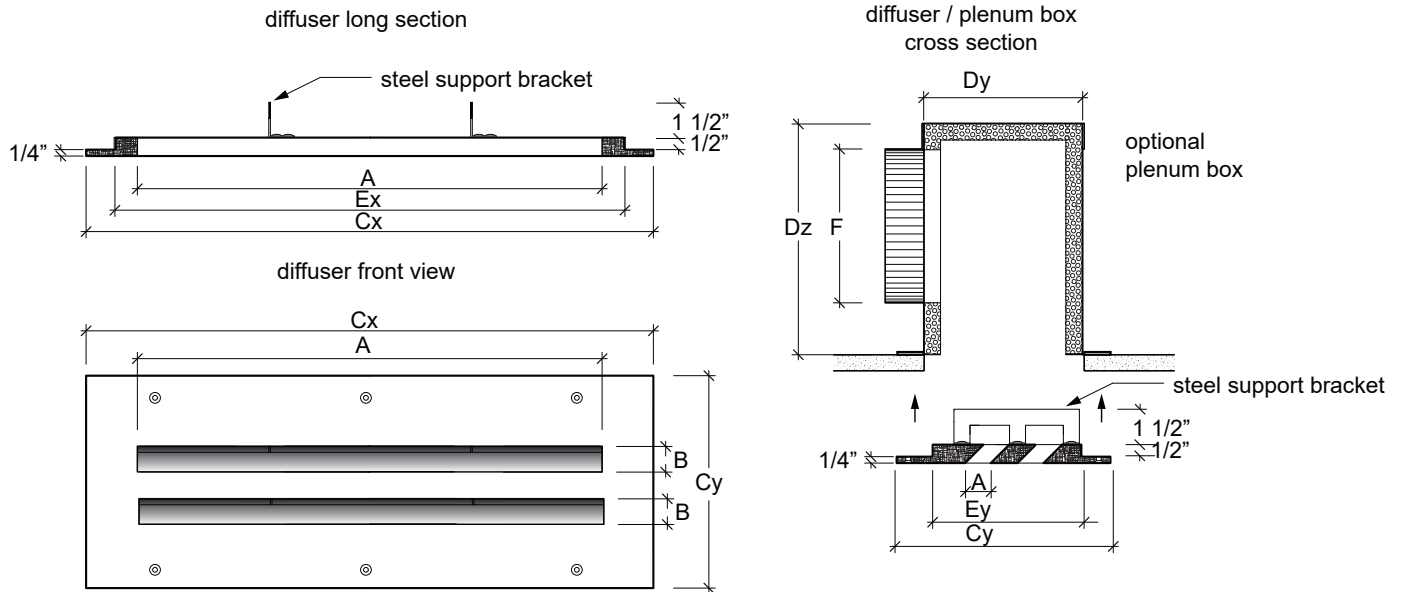


**MODEL LF245-P**  
**ARCHITECTURAL FRAMED LINEAR DIFFUSERS: 2-SLOT 45° PARALLEL OPENINGS**

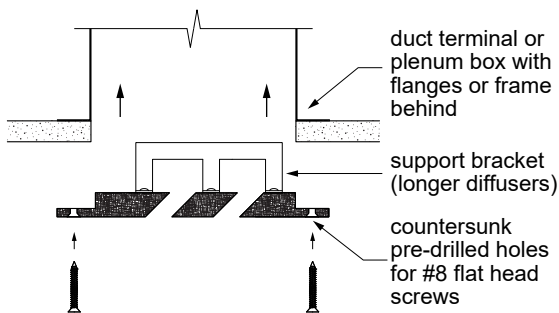


**PRODUCT DIMENSIONS**

|                          | <b>PRODUCT CODE</b> | <b>(A) DIFFUSER LENGTH</b> | <b>(B) SLOT WIDTH</b> | <b>BAR WIDTH</b> | <b>(Cx, Cy) OVERALL PRODUCT DIMENSIONS</b> | <b>(Dx, Dy) OPENING / PLENUM BOX / DUCT DIMENSIONS</b> | <b>(Ex, Ey) NECK SIZE</b> |
|--------------------------|---------------------|----------------------------|-----------------------|------------------|--|--|---------------------------|
| <input type="checkbox"/> | LF45P2050           | SPECIFY                    | 1/2"                  | 3/4"             | A + 4" x 6 3/4"                            | A + 2" x 4 1/4"  | A + 1 7/8" x 3 7/8"       |
| <input type="checkbox"/> | LF45P2075           | SPECIFY                    | 3/4"                  | 3/4"             | A + 4" x 7 1/4"                            | A + 2" x 4 3/4"  | A + 1 7/8" x 4 3/8"       |
| <input type="checkbox"/> | LF45P2100           | SPECIFY                    | 1"                    | 1"               | A + 4" x 8"                                | A + 2" x 5 1/2"  | A + 1 7/8" x 4 7/8"       |
| <input type="checkbox"/> | LF45P2150           | SPECIFY                    | 1 1/2"                | 1 1/2"           | A + 4" x 9 1/2"                            | A + 2" x 7"  | A + 1 7/8" x 6 3/8"       |
| <input type="checkbox"/> | LF45P2200           | SPECIFY                    | 2"                    | 2"               | A + 4" x 11"                               | A + 2" x 8 1/2"  | A + 1 7/8" x 7 7/8"       |

**ADDITIONAL DIFFUSER SPECIFICATIONS**

**DIFFUSER MOUNTS WITH FACE SCREWS OR CONCEALED SPRING MOUNT**

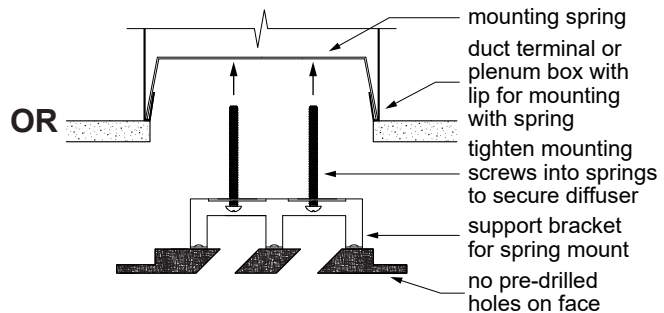


**STANDARD FACE SCREW MOUNT**

**NOTES:**

- DIFFUSER COMES WITH PRE-DRILLED COUNTERSUNK HOLES FOR #8 FLAT HEAD MOUNTING SCREWS

- SCREW HOLES MUST LINE UP WITH FRAMING OR A PLENUM BOX FLANGE BEHIND TO SUPPORT THE DIFFUSER



**CONCEALED SPRING MOUNT**

**NOTES:**

- DIFFUSER HAS NO PRE-DRILLED HOLES

- PLENUM BOX MUST HAVE A LIP AT THE EDGE OF THE OPENING FOR DIFFUSER SPRINGS TO MOUNT INTO

- ONLY FOR 45° SLOT WIDTH ABOVE 1"



**MODEL LF245-P**  
 ARCHITECTURAL FRAMED LINEAR DIFFUSERS: 2-SLOT 45° PARALLEL OPENINGS

**DIFFUSER ORDER DETAILS**

| PRODUCT CODE | (B) SLOT WIDTH | (A) DIFFUSER LENGTH | QTY | NOTES / OTHER SPECS |
|--------------|----------------|---------------------|-----|---------------------|
| LF45P2050    | 1/2"           |                     |     |                     |
|              | 1/2"           |                     |     |                     |
|              | 1/2"           |                     |     |                     |
| LF45P2075    | 3/4"           |                     |     |                     |
|              | 3/4"           |                     |     |                     |
|              | 3/4"           |                     |     |                     |
| LF45P2100    | 1"             |                     |     |                     |
|              | 1"             |                     |     |                     |
|              | 1"             |                     |     |                     |
| LF45P2150    | 1 1/2"         |                     |     |                     |
|              | 1 1/2"         |                     |     |                     |
|              | 1 1/2"         |                     |     |                     |
| LF45P2200    | 2"             |                     |     |                     |
|              | 2"             |                     |     |                     |
|              | 2"             |                     |     |                     |

**OPTIONAL PLENUM BOX ORDER SPECIFICATIONS \***

\* THE TABLE BELOW SHOULD BE FILLED OUT IF YOU WISH TO PURCHASE PLENUM BOXES FROM INVI

NOTE: INVI STANDARD 1/2" INSULATION PROVIDES "R" VALUE 2 THERMAL RESISTANCE. EXTRA INSULATION CAN BE ADDED OUTSIDE THE BOX IF REQUIRED

| (Dx) PLENUM LENGTH | (Dy) PLENUM WIDTH | (Dz) PLENUM HEIGHT (SPECIFY) | QTY | DIFFUSER MOUNT TYPE | (F) COLLAR SIZE | COLLAR LOCATION (TOP / SIDE / END) | NOTES / OTHER SPECS |
|--------------------|-------------------|------------------------------|-----|---------------------|-----------------|------------------------------------|---------------------|
|                    |                   |                              |     |                     |                 |                                    |                     |
|                    |                   |                              |     |                     |                 |                                    |                     |
|                    |                   |                              |     |                     |                 |                                    |                     |
|                    |                   |                              |     |                     |                 |                                    |                     |
|                    |                   |                              |     |                     |                 |                                    |                     |
|                    |                   |                              |     |                     |                 |                                    |                     |
|                    |                   |                              |     |                     |                 |                                    |                     |

|                |  |
|----------------|--|
| CLIENT         |  |
| PROJECT        |  |
| ADDRESS        |  |
| INVOICE / PO # |  |
| PREPARED BY    |  |

InviAir  
 67 Guernsey St  
 Brooklyn, NY 11222  
 917-909-0343