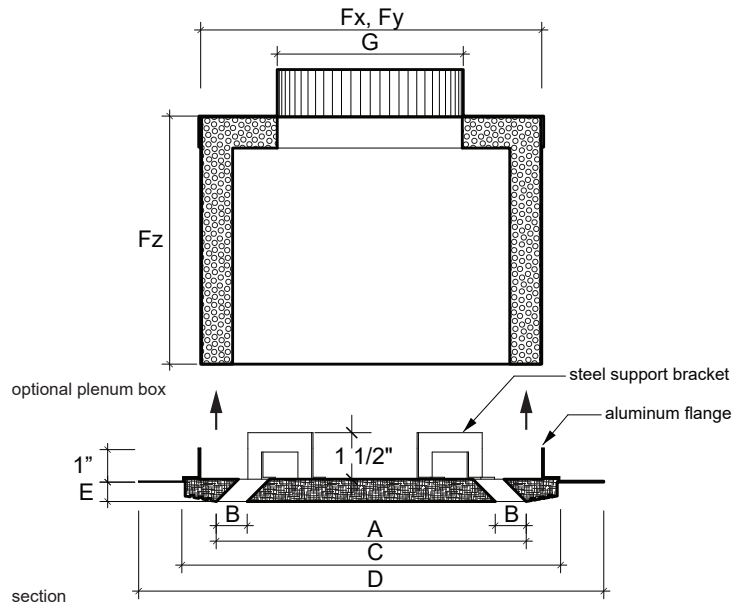
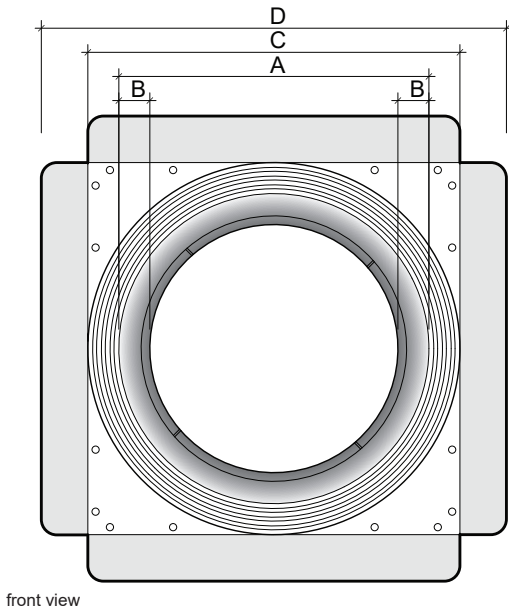




**MODEL R100**  
**ARCHITECTURAL ROUND DIFFUSERS: 1 SLOT 45° OPENING**  
**FLUSH MOUNT, TAPE AND SPACKLE INSTALLATION**

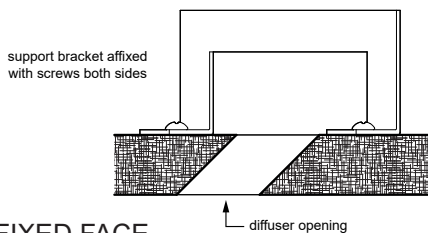


**PRODUCT DIMENSIONS**

	<b>PRODUCT CODE</b>	<b>(A) DIFFUSER OPENING (DIAMETER)</b>	<b>(B) SLOT WIDTH</b>	<b>(C) REQ. CEILING FRAME OPENING</b>	<b>(D) OVERALL PRODUCT DIMENSIONS</b>	<b>(E) GYPSUM BOARD THICKNESS</b>	<b>(Fx, Fy) STANDARD PLENUM BOX DIMENSIONS</b>
<input type="checkbox"/>	R0601075	6"	3/4"	8.5" x 8.5"	11" x 11"	UP TO 5/8"	7" x 7"
<input type="checkbox"/>	R0801075	8"	3/4"	10.5" x 10.5"	13" x 13"	UP TO 5/8"	9" x 9"
<input type="checkbox"/>	R1001088	10"	7/8"	12.5" x 12.5"	15" x 15"	UP TO 5/8"	11" x 11"
<input type="checkbox"/>	R1201088	12"	7/8"	14.5" x 14.5"	17" x 17"	UP TO 5/8"	13" x 13"
<input type="checkbox"/>	R1801100	18"	1"	20.5" x 20.5"	23" x 23"	UP TO 5/8"	19" x 19"
<input type="checkbox"/>	R2401100	24"	1"	26.5" x 26.5"	29" x 29"	UP TO 5/8"	25" x 25"

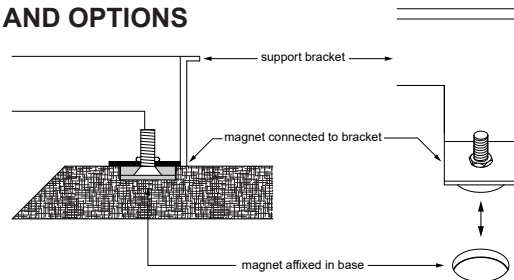
**DIFFUSER SPECIFICATIONS AND OPTIONS**

1) DIFFUSER FACE IS FIXED OR REMOVABLE



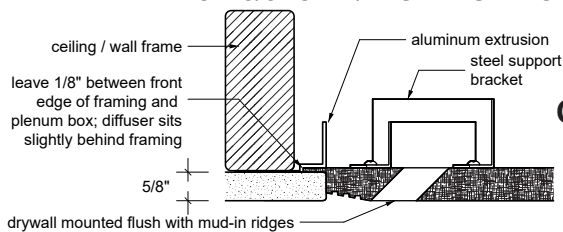
FIXED FACE

OR



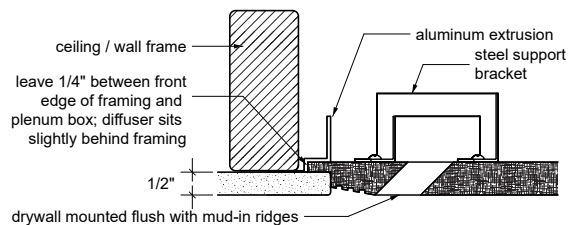
REMOVABLE FACE

2) DIFFUSER IS MADE FOR 5/8" OR 1/2" GYPSUM BOARD



5/8" GYPSUM BOARD

OR

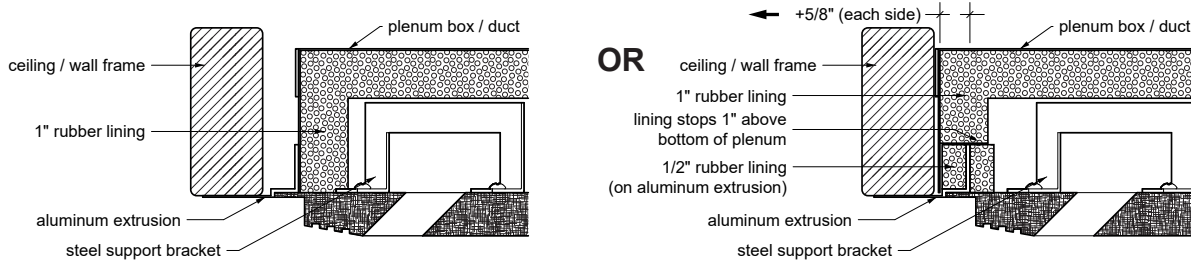


1/2" GYPSUM BOARD



**MODEL R100**  
**ARCHITECTURAL ROUND DIFFUSERS: 1 SLOT 45° OPENING**  
**FLUSH MOUNT, TAPE AND SPACKLE INSTALLATION**

3) DIFFUSER INSTALLS INSIDE OR OUTSIDE OF PLENUM BOX



- STANDARD DIFFUSER-OUT INSTALLATION       DIFFUSER-IN INSTALLATION (ADD 2.25" TO Fx AND Fy)

**DIFFUSER ORDER DETAILS**

PRODUCT CODE	DIFFUSER OPENING (DIAMETER)	QTY	DIFFUSER FACE FIXED OR REMOVABLE (SPECIFY)	(E) GYPSUM BOARD THICKNESS (SPECIFY)	NOTES / OTHER SPECS
R0601075	6"				
	6"				
R0801075	8"				
	8"				
R1001088	10"				
	10"				
R1201088	12"				
	12"				
R1801100	18"				
	18"				
R2401100	24"				
	24"				

**OPTIONAL PLENUM BOX ORDER SPECIFICATIONS \***

\* THE TABLE BELOW SHOULD BE FILLED OUT IF YOU WISH TO PURCHASE PLENUM BOXES FROM INVI

\*\* ADD 2.25" TO Dx AND Dy OVER STANDARD DIMENSIONS IF YOU CHOSE DIFFUSER-IN INSTALLATION

(Fx) ** PLENUM LENGTH	(Fy) ** PLENUM WIDTH	(Fz) PLENUM HEIGHT (SPECIFY)	QTY	DIFFUSER MOUNT TYPE	(G) COLLAR SIZE	COLLAR LOCATION (TOP / SIDE)	NOTES / OTHER SPECS

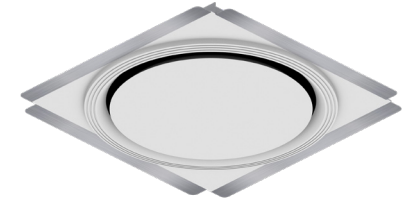
CLIENT	
PROJECT	
ADDRESS	
INVOICE / PO#	
PREPARED BY	

InviAir  
 67 Guernsey St  
 Brooklyn, NY 11222  
 917-909-0343



**PERFORMANCE DATA**

**INVAIR 1-SLOT ROUND DIFFUSER, 45° OPENING**



ALL PERFORMANCE DATA FROM TESTING CONDUCTED BY INTERTEK GROUP, IN ACCORDANCE WITH ASHRAE 70-06

DIFFUSER SIZE (DIA.)	AREA FACTOR (Ak)	PARAMETERS	PERFORMANCE				
8"	0.058	VOLUME (CFM)	17	35	52	69	87
		STATIC PRESSURE (in. w.g.)	.004	.015	.033	.056	.085
		NOISE CRITERIA	<15	<15	<15	17	21
		THROW (ft. at 50 / 100 / 150 fpm)	<2 / <2 / <2	3 / <2 / <2	4 / <2 / <2	5 / 2 / <2	6 / 3 / <2
12"	0.106	VOLUME (CFM)	39	78	118	157	196
		STATIC PRESSURE (in. w.g.)	.007	.025	.054	.094	.145
		NOISE CRITERIA	<15	<15	<15	16	24
		THROW (ft. at 50 / 100 / 150 fpm)	2 / <2 / <2	4 / <2 / <2	6 / 3 / 2	8 / 5 / 3	10 / 6 / 4
18"	0.213	VOLUME (CFM)	88	176	265	353	441
		STATIC PRESSURE (in. w.g.)	.010	.038	.084	.147	.227
		NOISE CRITERIA	<15	<15	<15	19	30
		THROW (ft. at 50 / 100 / 150 fpm)	3 / <2 / <2	7 / 4 / 3	11 / 7 / 5	14 / 10 / 7	16 / 12 / 9
24"	0.347	VOLUME (CFM)	157	314	471	628	785
		STATIC PRESSURE (in. w.g.)	.010	.039	.084	.146	.223
		NOISE CRITERIA	<15	16	27	35	41
		THROW (ft. at 50 / 100 / 150 fpm)	19 / 8 / 3	22 / 13 / 7	25 / 16 / 10	28 / 19 / 12	32 / 24 / 15

NOTES: Volume (CFM): standard air density and isothermal conditions

Static Pressure: inches of water gauge

Noise Criteria: based on room attenuation of 10dB (sound power level re: 10-12 watts) with 1 diffuser operating

Throw: projection distance in feet from the diffuser discharge at which the maximum velocity has been reduced to the specified terminal velocity

Terminal Velocity: maximum velocity (Vt) in feet per minute, at the specified distance from the outlet face