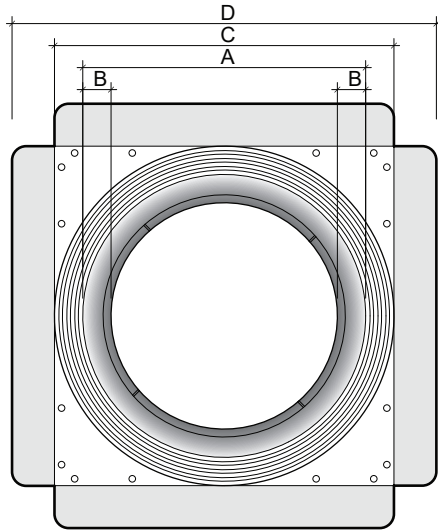
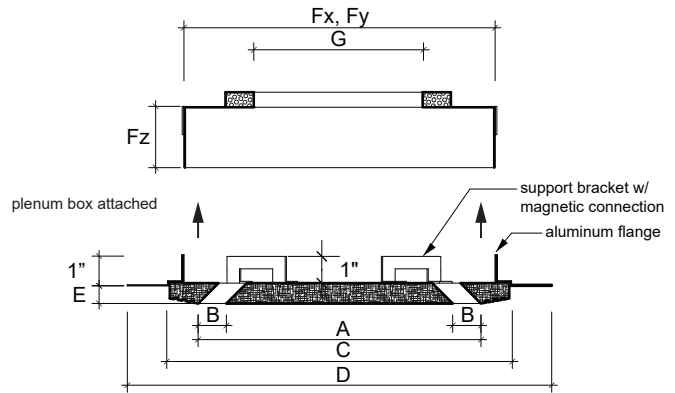




ARCHITECTURAL ROUND EXHAUST FAN COVER
TAPE AND SPACKLE INSTALLATION, FLUSH MOUNT MODEL #
R15E1100



front view



section

KEY FEATURES:

- Tape and spackle installation
- ASTM E-84 Class A rated

NOTES:

- Slide plenum box into vertical flanges and screw to secure
- Product size includes aluminum flanges
- Diffuser face removable with magnetic connections

PRODUCT DIMENSIONS

MODEL #	QTY	# SLOTS	(A) DIFFUSER OPENING DIAMETER	(B) SLOT WIDTH	(C) REQ. CEILING FRAME OPENING	(D) OVERALL PRODUCT DIMENSIONS	ALUMINUM FLANGE WIDTH	(E) GYPSUM BOARD THICKNESS (SPECIFY)
R15E1100		1	15 1/2"	1"	17.5" x 17.5"	20" x 20"	1 1/2"	

OPTIONAL PLENUM BOX SPECIFICATIONS

(Fx) PLENUM LENGTH	(Fy) PLENUM WIDTH	(Fz) PLENUM HEIGHT	QTY	(G) FAN UNIT OPENING	FAN MODEL NUMBER
16"	16"	2 1/4"		10" x 10"	
16"	16"	2 1/4"		10" x 10"	
16"	16"	2 1/4"		10" x 10"	
16"	16"	2 1/4"		10" x 10"	
16"	16"	2 1/4"		10" x 10"	

CLIENT	
PROJECT	
ADDRESS	
INVOICE / PO #	
PREPARED BY	

InviAir
67 Guernsey St
Brooklyn, NY 11222
917-909-0343