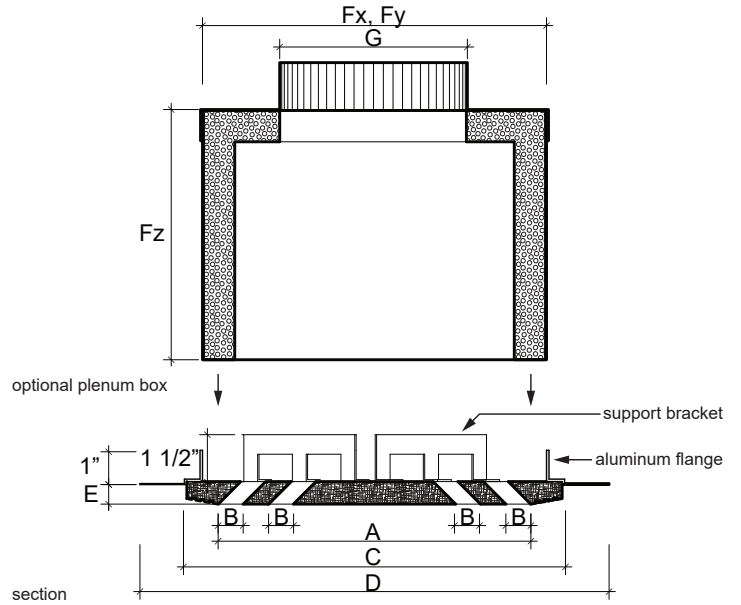
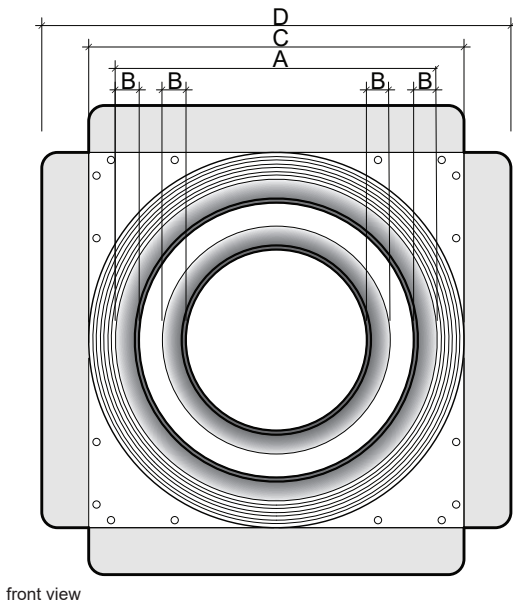




MODEL R200
ARCHITECTURAL ROUND DIFFUSERS: 2 SLOT 45° OPENING
FLUSH MOUNT, TAPE AND SPACKLE INSTALLATION

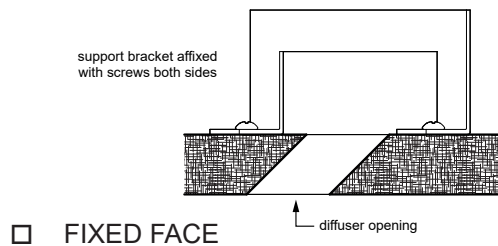


PRODUCT DIMENSIONS

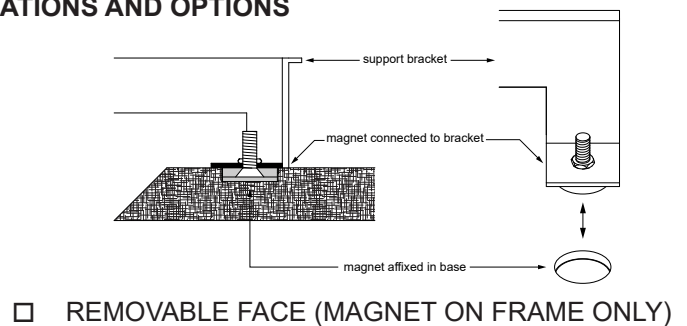
	PRODUCT CODE	(A) DIFFUSER OPENING (DIAMETER)	(B) SLOT/BAR WIDTH	(C) REQ. CEILING FRAME OPENING	(D) OVERALL PRODUCT DIMENSIONS	(E) GYPSUM BOARD THICKNESS	(Fx, Fy) STANDARD PLENUM BOX DIMENSIONS
<input type="checkbox"/>	R1202088	12"	7/8"	14.5" x 14.5"	17" x 17"	UP TO 5/8"	13" x 13"
<input type="checkbox"/>	R1802100	18"	1"	20.5" x 20.5"	23" x 23"	UP TO 5/8"	19" x 19"
<input type="checkbox"/>	R2402100	24"	1"	26.5" x 26.5"	29" x 29"	UP TO 5/8"	25" x 25"

DIFFUSER SPECIFICATIONS AND OPTIONS

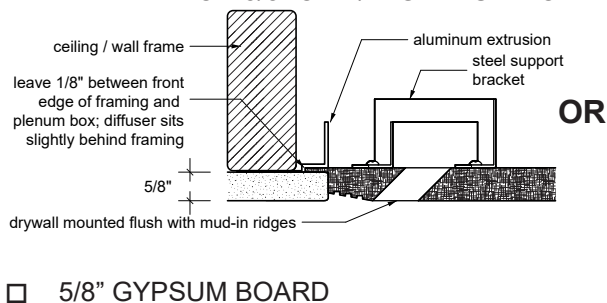
1) DIFFUSER FACE IS FIXED OR REMOVABLE



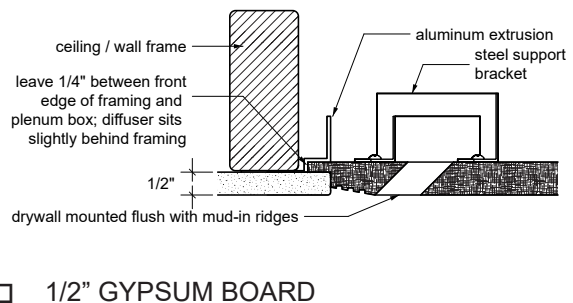
OR



2) DIFFUSER IS MADE FOR 5/8" OR 1/2" GYPSUM BOARD



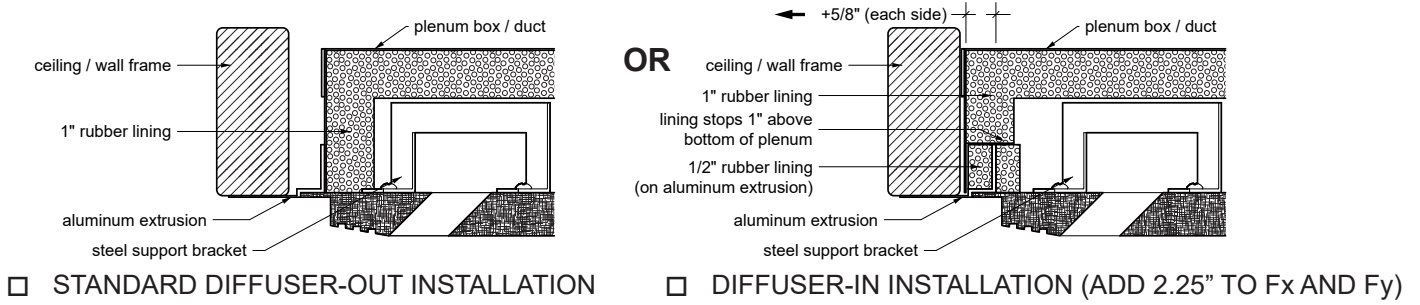
OR





MODEL R200
ARCHITECTURAL ROUND DIFFUSERS: 2 SLOT 45° OPENING
FLUSH MOUNT, TAPE AND SPACKLE INSTALLATION

3) DIFFUSER INSTALLS INSIDE OR OUTSIDE OF PLENUM BOX



DIFFUSER ORDER DETAILS

PRODUCT CODE	DIFFUSER OPENING (DIAMETER)	QTY	DIFFUSER FACE FIXED OR REMOVABLE (SPECIFY)	(E) GYPSUM BOARD THICKNESS (SPECIFY)	NOTES / OTHER SPECS
R1202088	12"				
	12"				
R1802100	18"				
	18"				
R2402100	24"				
	24"				

OFFICE USE ONLY: KF05 OTHER

OPTIONAL PLENUM BOX ORDER SPECIFICATIONS *

* THE TABLE BELOW SHOULD BE FILLED OUT IF YOU WISH TO PURCHASE PLENUM BOXES FROM INVI

** ADD 2.25" TO Dx AND Dy OVER STANDARD DIMENSIONS IF YOU CHOSE DIFFUSER-IN INSTALLATION

(Fx) ** PLENUM LENGTH	(Fy) ** PLENUM WIDTH	(Fz) PLENUM HEIGHT (SPECIFY)	QTY	DIFFUSER MOUNT TYPE	(G) COLLAR SIZE	COLLAR LOCATION (TOP / SIDE)	NOTES / OTHER SPECS

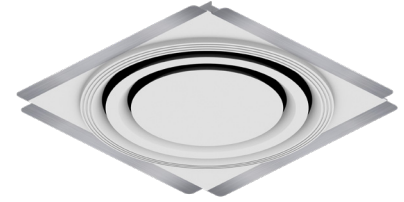
CLIENT	
PROJECT	
ADDRESS	
INVOICE / PO #	
PREPARED BY	

InviAir
 67 Guernsey St
 Brooklyn, NY 11222
 917-909-0343



PERFORMANCE DATA

INVAIR 2-SLOT ROUND DIFFUSER, 45° OPENING



ALL PERFORMANCE DATA FROM TESTING CONDUCTED BY INTERTEK GROUP, IN ACCORDANCE WITH ASHRAE 70-06

DIFFUSER SIZE (DIAMETER)	AREA FACTOR (Ak)	PARAMETERS	PERFORMANCE					
12"	0.188	VOLUME (CFM)	118	157	196	236	275	314
		STATIC PRESSURE (in. w.g.)	.018	.031	.047	.067	.090	.116
		NOISE CRITERIA	<15	<15	<15	18	22	26
		THROW (ft. at 50 / 100 / 150 fpm)	5 / 3 / <2	7 / 4 / 2	9 / 5 / 3	10 / 6 / 4	11 / 7 / 4	13 / 8 / 5
18"	0.380	VOLUME (CFM)	265	353	442	530	619	707
		STATIC PRESSURE (in. w.g.)	.021	.037	.056	.079	.106	.136
		NOISE CRITERIA	<15	<15	16	22	28	32
		THROW (ft. at 50 / 100 / 150 fpm)	7 / 5 / 3	9 / 6 / 4	11 / 8 / 5	12 / 9 / 6	14 / 10 / 7	15 / 11 / 8
24"	0.612	VOLUME (CFM)	314	417	628	785	942	1100
		STATIC PRESSURE (in. w.g.)	.007	.016	.031	.052	.078	.111
		NOISE CRITERIA	<15	20	29	37	43	48
		THROW (ft. at 50 / 100 / 150 fpm)	7 / 4 / 2	10 / 6 / 3	12 / 7 / 4	15 / 9 / 6	17 / 10 / 7	20 / 12 / 8

NOTES: Volume (CFM): standard air density and isothermal conditions

Static Pressure: inches of water gauge

Noise Criteria: based on room attenuation of 10dB (sound power level re: 10-12 watts) with 1 diffuser operating

Throw: projection distance in feet from the diffuser discharge at which the maximum velocity has been reduced to the specified terminal velocity

Terminal Velocity: maximum velocity (Vt) in feet per minute, at the specified distance from the outlet face