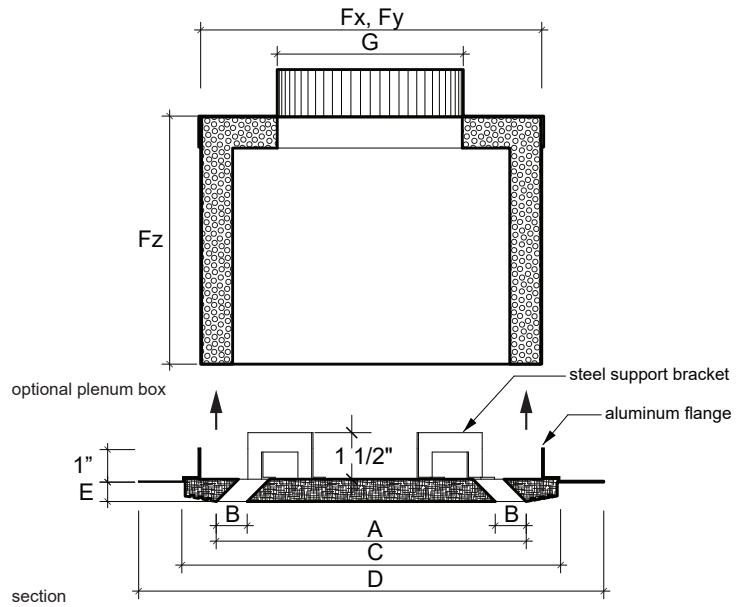
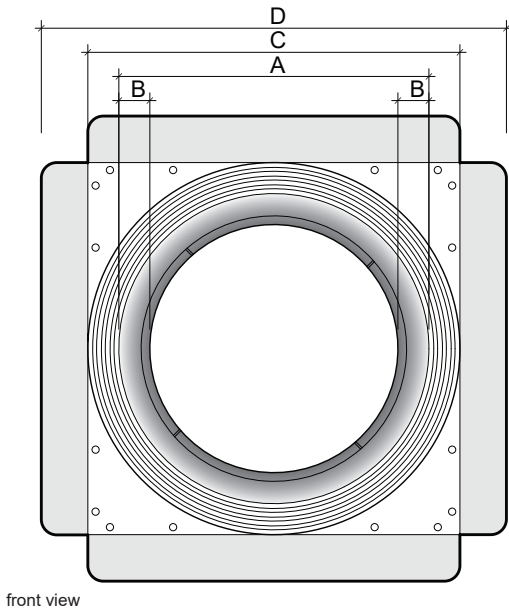




MODEL R100
ARCHITECTURAL ROUND DIFFUSERS: 1 SLOT 45° OPENING
FLUSH MOUNT, TAPE AND SPACKLE INSTALLATION

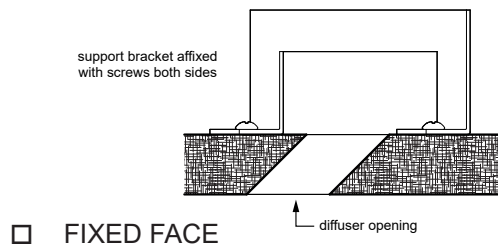


PRODUCT DIMENSIONS

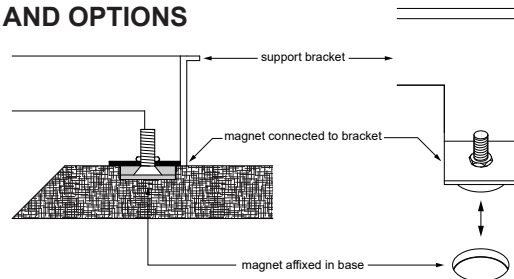
	PRODUCT CODE	(A) DIFFUSER OPENING (DIAMETER)	(B) SLOT WIDTH	(C) REQ. CEILING FRAME OPENING	(D) OVERALL PRODUCT DIMENSIONS	(E) GYPSUM BOARD THICKNESS	(Fx, Fy) STANDARD PLENUM BOX DIMENSIONS
<input type="checkbox"/>	R0601075	6"	3/4"	8.5" x 8.5"	11" x 11"	UP TO 5/8"	7" x 7"
<input type="checkbox"/>	R0801075	8"	3/4"	10.5" x 10.5"	13" x 13"	UP TO 5/8"	9" x 9"
<input type="checkbox"/>	R1201088	12"	7/8"	14.5" x 14.5"	17" x 17"	UP TO 5/8"	13" x 13"
<input type="checkbox"/>	R1801100	18"	1"	20.5" x 20.5"	23" x 23"	UP TO 5/8"	19" x 19"
<input type="checkbox"/>	R2401100	24"	1"	26.5" x 26.5"	29" x 29"	UP TO 5/8"	25" x 25"

DIFFUSER SPECIFICATIONS AND OPTIONS

1) DIFFUSER FACE IS FIXED OR REMOVABLE

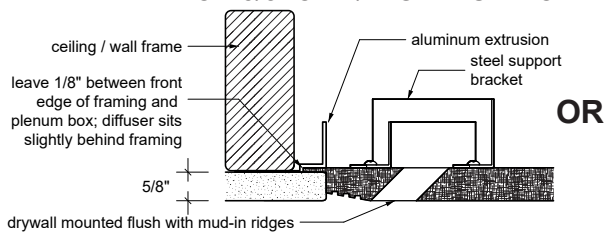


OR

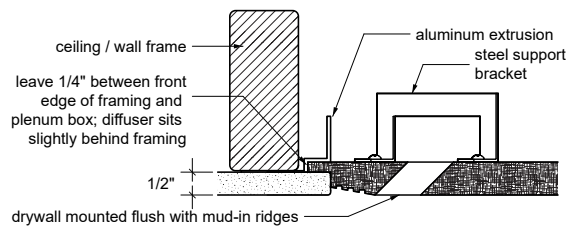


MAGNET LOCATION: DIFFUSER FRAME

2) DIFFUSER IS MADE FOR 5/8" OR 1/2" GYPSUM BOARD



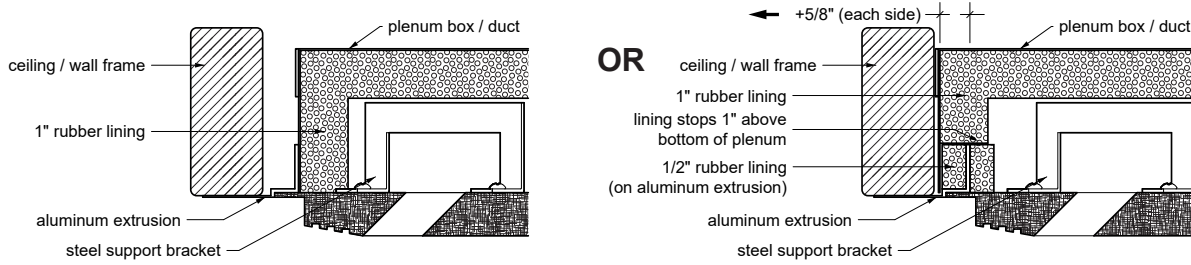
OR





MODEL R100
ARCHITECTURAL ROUND DIFFUSERS: 1 SLOT 45° OPENING
FLUSH MOUNT, TAPE AND SPACKLE INSTALLATION

3) DIFFUSER INSTALLS INSIDE OR OUTSIDE OF PLENUM BOX



- STANDARD DIFFUSER-OUT INSTALLATION DIFFUSER-IN INSTALLATION (ADD 2.25" TO Fx AND Fy)

DIFFUSER ORDER DETAILS

PRODUCT CODE	DIFFUSER OPENING (DIAMETER)	QTY	DIFFUSER FACE FIXED OR REMOVABLE (SPECIFY)	(E) GYPSUM BOARD THICKNESS (SPECIFY)	NOTES / OTHER SPECS
R0601075	6"				
	6"				
R0801075	8"				
	8"				
R1201088	12"				
	12"				
R1801100	18"				
	18"				
R2401100	24"				
	24"				

OFFICE USE ONLY: KF05 OTHER

OPTIONAL PLENUM BOX ORDER SPECIFICATIONS *

* THE TABLE BELOW SHOULD BE FILLED OUT IF YOU WISH TO PURCHASE PLENUM BOXES FROM INVI

** ADD 2.25" TO Dx AND Dy OVER STANDARD DIMENSIONS IF YOU CHOSE DIFFUSER-IN INSTALLATION

(Fx) ** PLENUM LENGTH	(Fy) ** PLENUM WIDTH	(Fz) PLENUM HEIGHT (SPECIFY)	QTY	DIFFUSER MOUNT TYPE	(G) COLLAR SIZE	COLLAR LOCATION (TOP / SIDE)	NOTES / OTHER SPECS

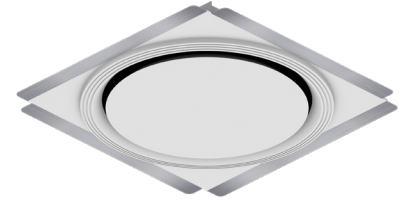
CLIENT	
PROJECT	
ADDRESS	
INVOICE / PO#	
PREPARED BY	

InviAir
 67 Guernsey St
 Brooklyn, NY 11222
 917-909-0343



PERFORMANCE DATA

INVAIR 1-SLOT ROUND DIFFUSER, 45° OPENING



ALL PERFORMANCE DATA FROM TESTING CONDUCTED BY INTERTEK GROUP, IN ACCORDANCE WITH ASHRAE 70-06

DIFFUSER SIZE (DIA.)	AREA FACTOR (Ak)	PARAMETERS	PERFORMANCE				
8"	0.058	VOLUME (CFM)	17	35	52	69	87
		STATIC PRESSURE (in. w.g.)	.004	.015	.033	.056	.085
		NOISE CRITERIA	<15	<15	<15	17	21
		THROW (ft. at 50 / 100 / 150 fpm)	<2 / <2 / <2	3 / <2 / <2	4 / <2 / <2	5 / 2 / <2	6 / 3 / <2
12"	0.106	VOLUME (CFM)	39	78	118	157	196
		STATIC PRESSURE (in. w.g.)	.007	.025	.054	.094	.145
		NOISE CRITERIA	<15	<15	<15	16	24
		THROW (ft. at 50 / 100 / 150 fpm)	2 / <2 / <2	4 / <2 / <2	6 / 3 / 2	8 / 5 / 3	10 / 6 / 4
18"	0.213	VOLUME (CFM)	88	176	265	353	441
		STATIC PRESSURE (in. w.g.)	.010	.038	.084	.147	.227
		NOISE CRITERIA	<15	<15	<15	19	30
		THROW (ft. at 50 / 100 / 150 fpm)	3 / <2 / <2	7 / 4 / 3	11 / 7 / 5	14 / 10 / 7	16 / 12 / 9
24"	0.347	VOLUME (CFM)	157	314	471	628	785
		STATIC PRESSURE (in. w.g.)	.010	.039	.084	.146	.223
		NOISE CRITERIA	<15	16	27	35	41
		THROW (ft. at 50 / 100 / 150 fpm)	19 / 8 / 3	22 / 13 / 7	25 / 16 / 10	28 / 19 / 12	32 / 24 / 15

NOTES: Volume (CFM): standard air density and isothermal conditions

Static Pressure: inches of water gauge

Noise Criteria: based on room attenuation of 10dB (sound power level re: 10-12 watts) with 1 diffuser operating

Throw: projection distance in feet from the diffuser discharge at which the maximum velocity has been reduced to the specified terminal velocity

Terminal Velocity: maximum velocity (Vt) in feet per minute, at the specified distance from the outlet face