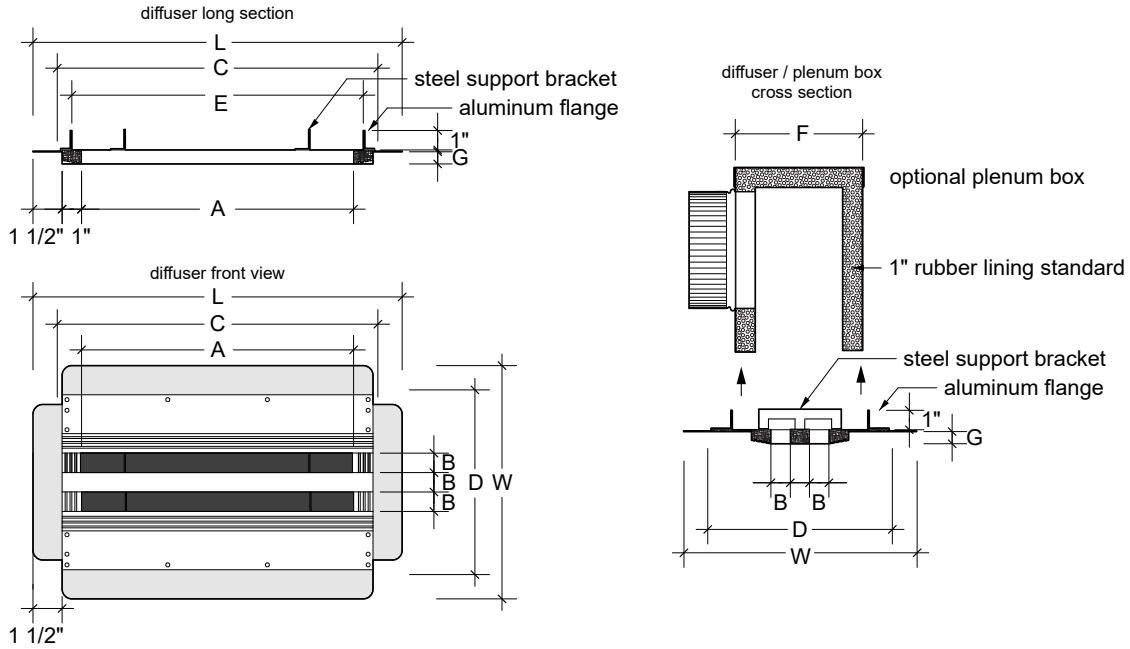




**MODEL L200**  
**ARCHITECTURAL LINEAR DIFFUSERS: 2 SLOT 90° OPENING**  
**FLUSH MOUNT, TAPE AND SPACKLE INSTALLATION**

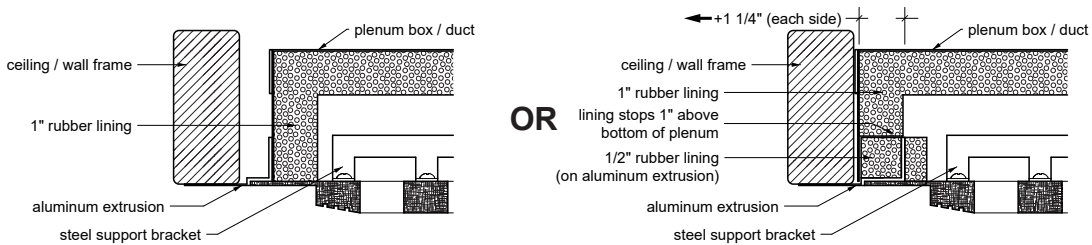


**PRODUCT DIMENSIONS**

	<b>PRODUCT CODE</b>	<b>(A) DIFFUSER LENGTH</b>	<b>(B) SLOT WIDTH</b>	<b>(C) ROUGH OPENING LENGTH</b>	<b>(D) ROUGH OPENING WIDTH</b>	<b>(E) PLENUM BOX LENGTH</b>	<b>(F) PLENUM BOX WIDTH</b>	<b>(L) OVERALL PRODUCT LENGTH</b>	<b>(W) OVERALL PRODUCT WIDTH</b>	<b>(G) GYPSUM BOARD THICKNESS</b>
<input type="checkbox"/>	L0002050	SPECIFY	1/2"	A + 2.5"	8"	A + 1"	5 1/2"	A + 5"	10 1/2"	UP TO 5/8"
<input type="checkbox"/>	L0002075	SPECIFY	3/4"	A + 2.5"	8 3/4"	A + 1"	6 1/4"	A + 5"	11 1/4"	UP TO 5/8"
<input type="checkbox"/>	L0002100	SPECIFY	1"	A + 2.5"	9 1/2"	A + 1"	7"	A + 5"	12"	UP TO 5/8"
<input type="checkbox"/>	L0002150	SPECIFY	1 1/2"	A + 2.5"	11"	A + 1"	8 1/2"	A + 5"	13 1/2"	UP TO 5/8"
<input type="checkbox"/>	L0002200	SPECIFY	2"	A + 2.5"	12 1/2"	A + 1"	10"	A + 5"	15"	UP TO 5/8"

**DIFFUSER SPECIFICATIONS AND OPTIONS**

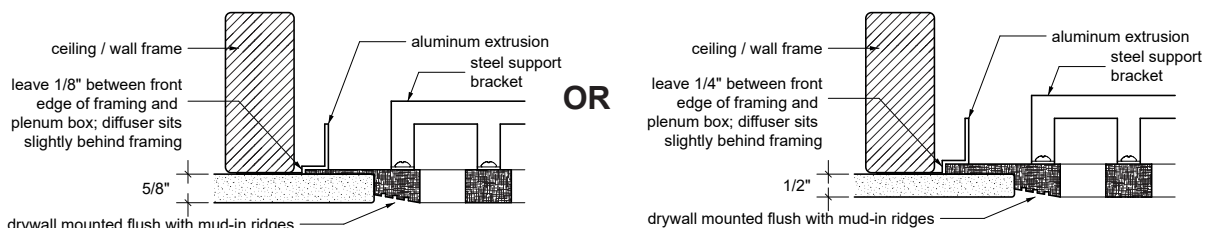
1) DIFFUSER INSTALLS OUTSIDE OR INSIDE OF PLENUM BOX OR DUCT



STANDARD DIFFUSER-OUT INSTALLATION

DIFFUSER-IN INSTALLATION (ADD +1.25" TO E AND +2.5" TO F)

2) DIFFUSER MADE FOR 5/8" OR 1/2" GYPSUM BOARD



5/8" GYPSUM BOARD

1/2" GYPSUM BOARD



**MODEL L200**  
 ARCHITECTURAL LINEAR DIFFUSERS: 2 SLOT 90° OPENING  
 FLUSH MOUNT, TAPE AND SPACKLE INSTALLATION

**DIFFUSER ORDER DETAILS**

PRODUCT CODE	(B) SLOT WIDTH	(A) DIFFUSER LENGTH	(E) GYPSUM BOARD THICKNESS	QTY	NOTES / OTHER SPECS
L0002050	1/2"				
	1/2"				
	1/2"				
L0002075	3/4"				
	3/4"				
	3/4"				
L0002100	1"				
	1"				
	1"				
L0002150	1 1/2"				
	1 1/2"				
	1 1/2"				
L0002200	2"				
	2"				
	2"				

OFFICE USE ONLY:  KF05  OTHER

**OPTIONAL PLENUM BOX ORDER SPECIFICATIONS \***

\* THE TABLE BELOW SHOULD BE FILLED OUT IF YOU WISH TO PURCHASE PLENUM BOXES FROM INVI

\*\* ADD +1.25" TO E AND +2.5" TO F OVER STANDARD DIMENSIONS IF YOU CHOSE DIFFUSER-IN INSTALLATION

E ** PLENUM LENGTH	F ** PLENUM WIDTH	PLENUM HEIGHT (SPECIFY)	QTY	DIFFUSER MOUNT TYPE	COLLAR SIZE	COLLAR LOCATION (TOP / SIDE / END)	NOTES / OTHER SPECS

CLIENT	
PROJECT	
ADDRESS	
INVOICE / PO #	
PREPARED BY	

InviAir  
 67 Guernsey St  
 Brooklyn, NY 11222  
 917-909-0343



**PERFORMANCE DATA**

**INVAIR 2-SLOT LINEAR DIFFUSER, 90° OPENING**

ALL PERFORMANCE DATA FROM TESTING CONDUCTED BY INTERTEK GROUP, IN ACCORDANCE WITH ASHRAE 70-06



SLOT WIDTH	AREA FACTOR (Ak per ft)	PARAMETERS	PERFORMANCE					
0.5"	0.079	VOLUME (CFM / ft. of length)	25	42	50	67	75	92
		STATIC PRESSURE (in. w.g.)	.009	.024	.033	.056	.069	.100
		NOISE CRITERIA	<15	<15	<15	18	21	26
		THROW (ft. at 50 / 100 / 150 fpm)	10 / 4 / <2	17 / 12 / 6	20 / 17 / 8	29 / 26 / 14	34 / 31 / 18	45 / 41 / 25
0.75"	0.106	VOLUME (CFM / ft. of length)	38	63	75	100	113	138
		STATIC PRESSURE (in. w.g.)	.012	.031	.044	.077	.096	.141
		NOISE CRITERIA	<15	<15	<15	16	20	25
		THROW (ft. at 50 / 100 / 150 fpm)	12 / 6 / <2	20 / 15 / 6	24 / 19 / 9	34 / 29 / 15	38 / 33 / 18	49 / 43 / 26
1.0"	0.129	VOLUME (CFM / ft. of length)	33	67	83	100	133	167
		STATIC PRESSURE (in. w.g.)	.006	.024	.037	.052	.092	.142
		NOISE CRITERIA	<15	<15	<15	<15	17	24
		THROW (ft. at 50 / 100 / 150 fpm)	9 / 3 / <2	19 / 12 / 4	23 / 16 / 6	28 / 21 / 9	38 / 30 / 16	48 / 40 / 23
1.5"	0.179	VOLUME (CFM / ft. of length)	75	100	150	175	200	250
		STATIC PRESSURE (in. w.g.)	.016	.028	.061	.082	.106	.163
		NOISE CRITERIA	<15	<15	18	22	25	30
		THROW (ft. at 50 / 100 / 150 fpm)	17 / 8 / 2	24 / 12 / 5	36 / 22 / 10	42 / 27 / 14	48 / 32 / 18	58 / 44 / 27
2"	0.220	VOLUME (CFM / ft. of length)	100	133	167	200	233	300
		STATIC PRESSURE (in. w.g.)	.017	.028	.042	.059	.078	.123
		NOISE CRITERIA	<15	<15	<15	16	23	30
		THROW (ft. at 50 / 100 / 150 fpm)	20 / 6 / 2	29 / 10 / 5	37 / 14 / 8	44 / 20 / 12	51 / 26 / 16	>60 / 40 / 26

NOTES: Volume (CFM): standard air density and isothermal conditions

Static Pressure: inches of water gauge

Noise Criteria: based on room attenuation of 10dB (sound power level re: 10-12 watts) with 1 diffuser operating

Throw: projection distance in feet from the diffuser discharge at which the maximum velocity has been reduced to the specified terminal velocity

Terminal Velocity: maximum velocity (Vt) in feet per minute, at the specified distance from the outlet face

Actual samples used for testing measured 4 feet in length

NOISE CRITERIA (NC) ADJUSTMENTS FOR VARIOUS LENGTHS			
24" = -3 NC	48" = ±0 NC	60" = +1 NC	96" = +3 NC