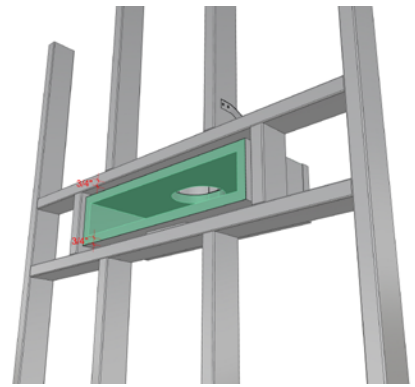
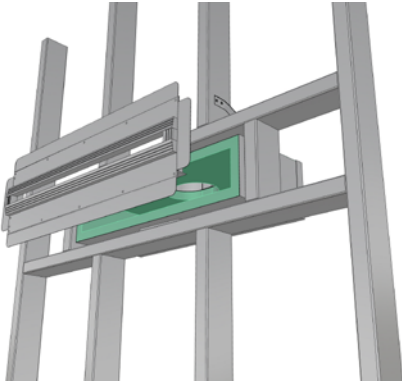


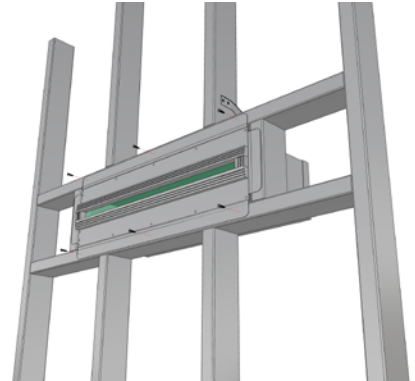
1) Install framing per specifications. This example uses the standard framing specification for a 24" linear diffuser 1 slot x 1", which calls for a 24.5" x 7.5" between framing



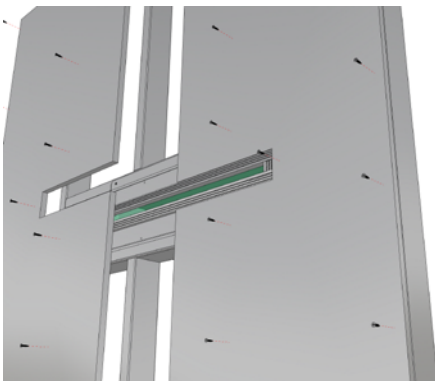
2) Install plenum box per specifications. This example uses straps and spacers to center the plenum box in the frame opening



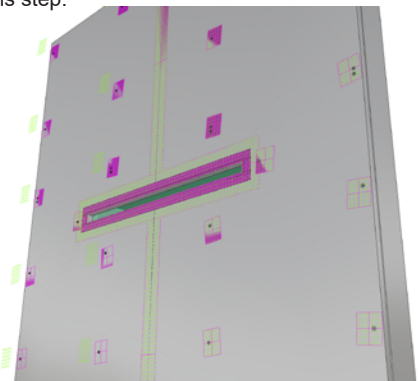
3) Fit diffuser onto plenum box. Sealant or tape may be used in this step to create a tighter seal, if needed.



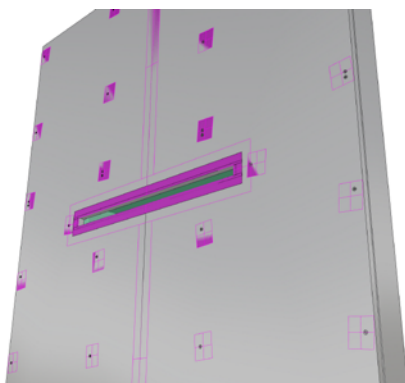
4) Secure diffuser and plenum box to framing. Be sure to connect all ductwork to plenum boxes before moving past this step.



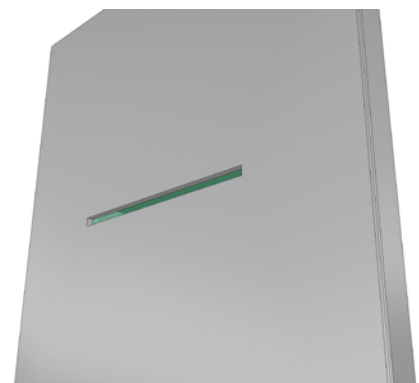
5) Install drywall up to the mud-in bead and secure with screws



6) Apply joint compound and mesh tape to all seams and the mud-in bead, then let cure



7) Sand all surfaces until smooth. Repeat steps 6 and 7 as needed until all surfaces appear smooth and seamless



8) Apply final finish to all surfaces. Invi product should appear seamless