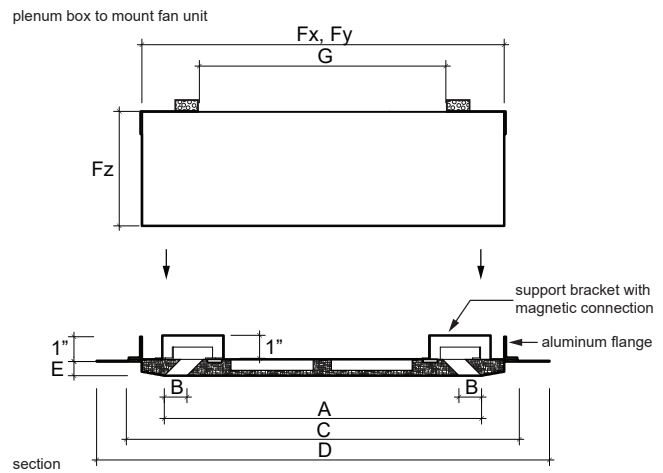
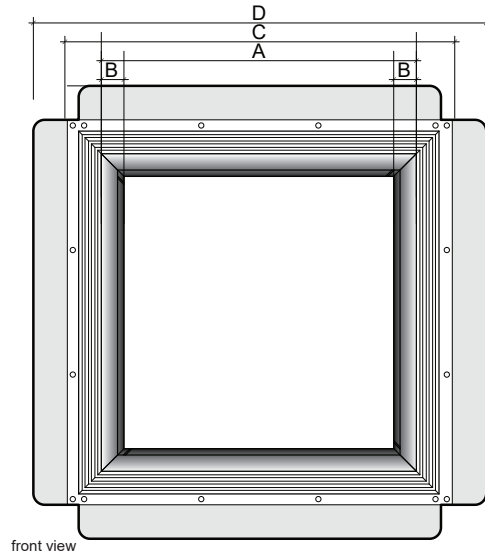




ARCHITECTURAL SQUARE EXHAUST FAN COVER
 TAPE AND SPACKLE INSTALLATION, FLUSH MOUNT MODEL #
S15E1100



KEY FEATURES:

- Tape and spackle installation
- Removable face
- Sized for most Panasonic exhaust fan units
- ASTM E-84 Class A rated

NOTES:

- Slide plenum box into vertical flanges and screw to secure
- Product size includes aluminum flanges
- Removable face with magnetic connections
- Custom design to mount specific exhaust fan model
- Mount fan directly to plenum box, use framing for additional support if needed

PRODUCT DIMENSIONS

MODEL #	QTY	# SLOTS	(A) DIFFUSER OPENING	(B) SLOT WIDTH	(C) REQ. CEILING FRAME OPENING	(D) OVERALL PRODUCT DIMENSIONS	ALUMINUM FLANGE WIDTH	(E) GYPSUM BOARD THICKNESS (SPECIFY)
S15E1100		1	15 1/2"	1"	17 1/2" x 17 1/2"	20" x 20"	1 1/2"	

OPTIONAL PLENUM BOX SPECIFICATIONS

(Fx) PLENUM LENGTH	(Fy) PLENUM WIDTH	(Fz) PLENUM HEIGHT	QTY	(G) FAN UNIT OPENING	FAN MODEL NUMBER
16"	16"	2 1/4"		10" x 10"	
16"	16"	2 1/4"		10" x 10"	
16"	16"	2 1/4"		10" x 10"	
16"	16"	2 1/4"		10" x 10"	
16"	16"	2 1/4"		10" x 10"	

CLIENT	
PROJECT	
ADDRESS	
INVOICE / PO #	
PREPARED BY	

InviAir
 67 Guernsey St
 Brooklyn, NY 11222
 917-909-0343