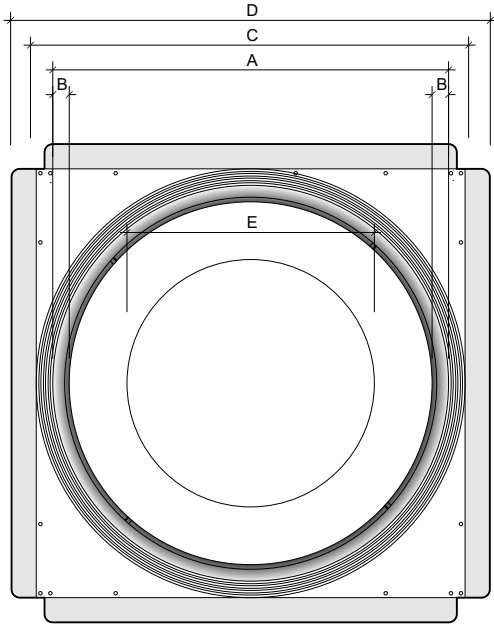
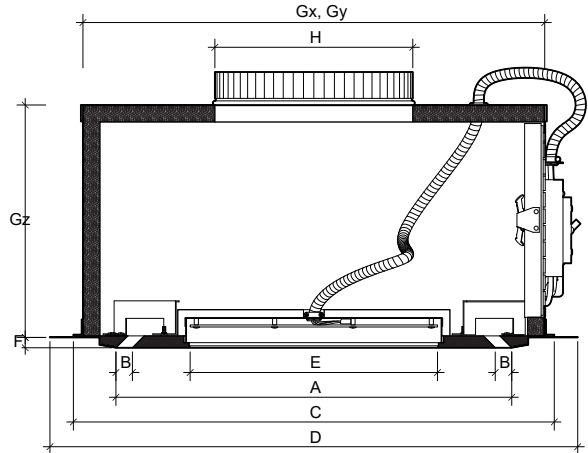




ARCHITECTURAL ROUND DIFFUSERS WITH LIGHT 1-SLOT
24" DIAMETER 45° OPENING WITH CUSTOM PLENUM BOX MODEL #
RL2401100



front view



section

KEY FEATURES:

- Tape and spackle installation
- ASTM E-84 Class A rated

NOTES:

- Custom plenum box provided by Invi, with minimum 13" Height
- Diffuser face removable for access to light assembly
- Light assembly and plenum box lined with foam rubber insulation
- Steel adjustment brackets variable

PRODUCT DIMENSIONS

MODEL #	(A) DIFFUSER OPENING	QTY	# SLOTS	(B) SLOT WIDTH	(C) REQ. CEILING FRAME OPENING	(D) OVERALL PRODUCT SIZE	(E) LIGHT SIZE	LIGHT TEMP. (WARM /COOL)	(F) GYPSUM BOARD THICKNESS (SPECIFY)
RL2401100	24"		1	1"	26 1/2" x 26 1/2"	29" x 29"	16"		
RL2401100	24"		1	1"	26 1/2" x 26 1/2"	29" x 29"	16"		

PLENUM BOX SPECIFICATIONS

(Gx) PLENUM LENGTH	(Gy) PLENUM WIDTH	(Gz) PLENUM HEIGHT (13" MINIMUM)	QUANTITY	DUCT CONNECTION TYPE	COLLAR SIZE	COLLAR LOCATION (TOP / SIDE)	NOTES
25"	25"						
25"	25"						
25"	25"						
25"	25"						
25"	25"						

CLIENT	
PROJECT	
ADDRESS	
INVOICE / PO #	
PREPARED BY	

InviAir
 67 Guernsey St
 Brooklyn, NY 11222
 917-909-0343