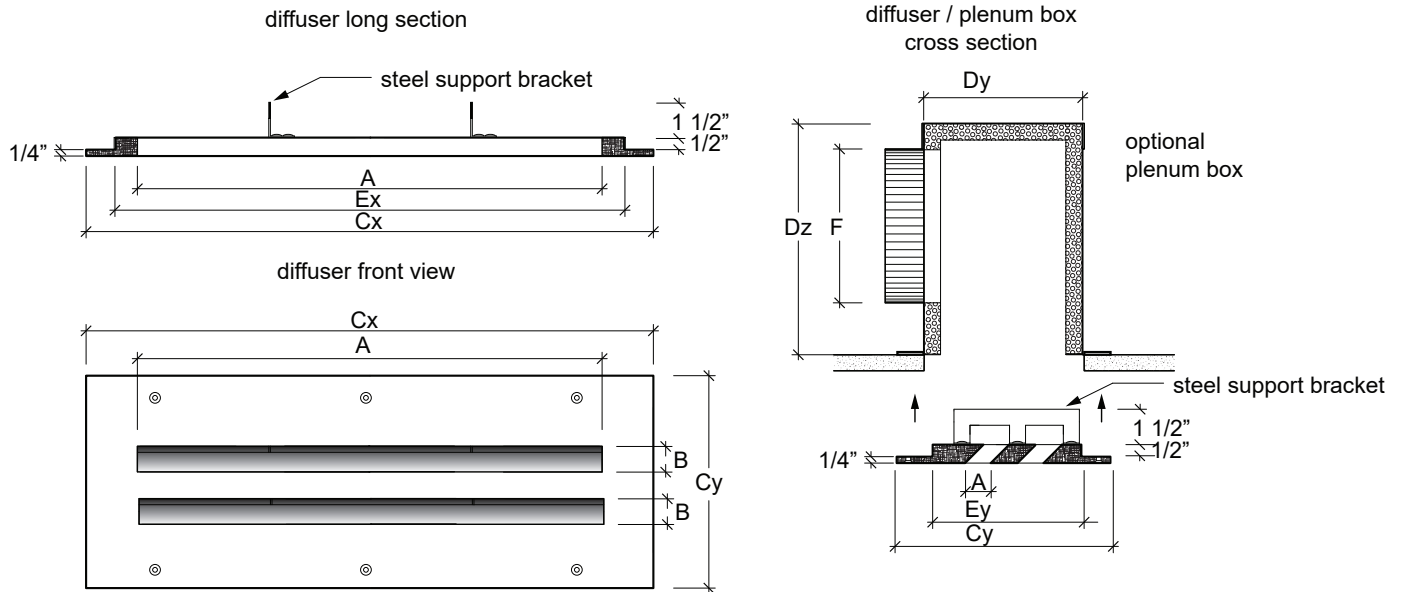


MODEL LF245-P
ARCHITECTURAL FRAMED LINEAR DIFFUSERS: 2-SLOT 45° PARALLEL OPENINGS

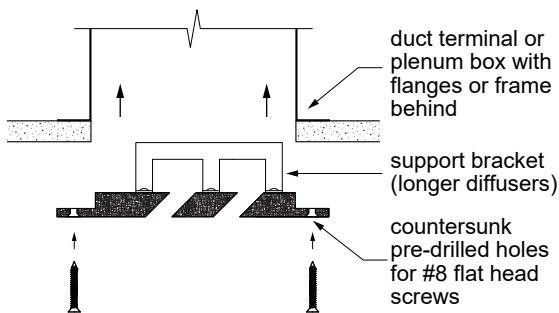


PRODUCT DIMENSIONS

	PRODUCT CODE	(A) DIFFUSER LENGTH	(B) SLOT WIDTH	BAR WIDTH	(Cx, Cy) OVERALL PRODUCT DIMENSIONS	(Dx, Dy) OPENING / PLENUM BOX / DUCT DIMENSIONS	(Ex, Ey) NECK SIZE
<input type="checkbox"/>	LF45P2050	SPECIFY	1/2"	3/4"	A + 4" x 7"	A + 2" x 4"	A + 1 7/8" x 3 7/8"
<input type="checkbox"/>	LF45P2075	SPECIFY	3/4"	3/4"	A + 4" x 7 1/2"	A + 2" x 4 1/2"	A + 1 7/8" x 4 3/8"
<input type="checkbox"/>	LF45P2100	SPECIFY	1"	1"	A + 4" x 8"	A + 2" x 5"	A + 1 7/8" x 4 7/8"
<input type="checkbox"/>	LF45P2150	SPECIFY	1 1/2"	1 1/2"	A + 4" x 9 1/2"	A + 2" x 6 1/2"	A + 1 7/8" x 6 3/8"
<input type="checkbox"/>	LF45P2200	SPECIFY	2"	2"	A + 4" x 11"	A + 2" x 8"	A + 1 7/8" x 7 7/8"

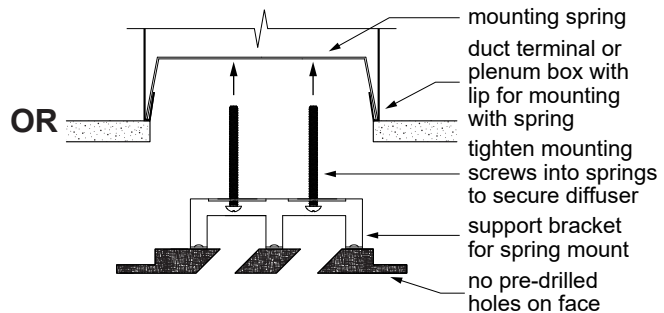
ADDITIONAL DIFFUSER SPECIFICATIONS

DIFFUSER MOUNTS WITH FACE SCREWS OR CONCEALED SPRING MOUNT



STANDARD FACE SCREW MOUNT

- NOTES:**
- DIFFUSER COMES WITH PRE-DRILLED COUNTERSUNK HOLES FOR #8 FLAT HEAD MOUNTING SCREWS
 - SCREW HOLES MUST LINE UP WITH FRAMING OR A PLENUM BOX FLANGE BEHIND TO SUPPORT THE DIFFUSER



CONCEALED SPRING MOUNT

- NOTES:**
- DIFFUSER HAS NO PRE-DRILLED HOLES
 - PLENUM BOX MUST HAVE A LIP AT THE EDGE OF THE OPENING FOR DIFFUSER SPRINGS TO MOUNT INTO
 - ONLY FOR 45° SLOT WIDTH ABOVE 1"



MODEL LF245-P
 ARCHITECTURAL FRAMED LINEAR DIFFUSERS: 2-SLOT 45° PARALLEL OPENINGS

DIFFUSER ORDER DETAILS

PRODUCT CODE	(B) SLOT WIDTH	(A) DIFFUSER LENGTH	QTY	NOTES / OTHER SPECS
LF45P2050	1/2"			
	1/2"			
	1/2"			
LF45P2075	3/4"			
	3/4"			
	3/4"			
LF45P2100	1"			
	1"			
	1"			
LF45P2150	1 1/2"			
	1 1/2"			
	1 1/2"			
LF45P2200	2"			
	2"			
	2"			

OPTIONAL PLENUM BOX ORDER SPECIFICATIONS *

* THE TABLE BELOW SHOULD BE FILLED OUT IF YOU WISH TO PURCHASE PLENUM BOXES FROM INVI

NOTE: INVI STANDARD 1/2" INSULATION PROVIDES "R" VALUE 2 THERMAL RESISTANCE. EXTRA INSULATION CAN BE ADDED OUTSIDE THE BOX IF REQUIRED

(Dx) PLENUM LENGTH	(Dy) PLENUM WIDTH	(Dz) PLENUM HEIGHT (SPECIFY)	QTY	DIFFUSER MOUNT TYPE	(F) COLLAR SIZE	COLLAR LOCATION (TOP / SIDE / END)	NOTES / OTHER SPECS

CONTRACTOR	
PROJECT	
ADDRESS	
ENGINEER	
PREPARED BY	

InviAir
 67 Guernsey St
 Brooklyn, NY 11222
 917-909-0343