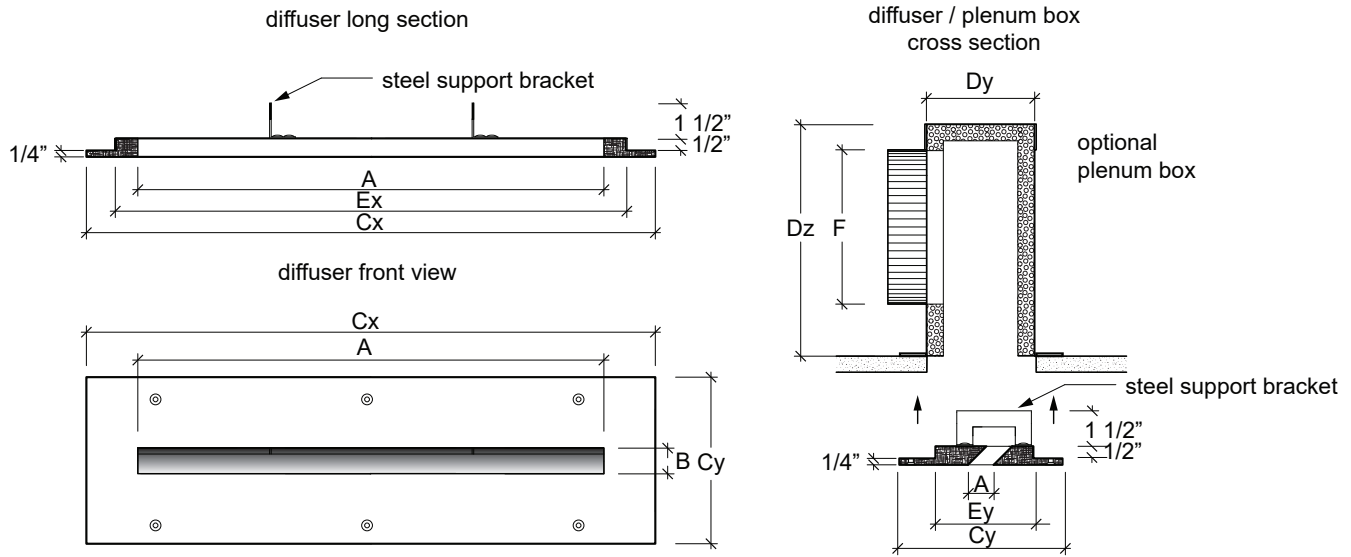


MODEL LF145
ARCHITECTURAL FRAMED LINEAR DIFFUSERS: 1 SLOT 45° OPENING

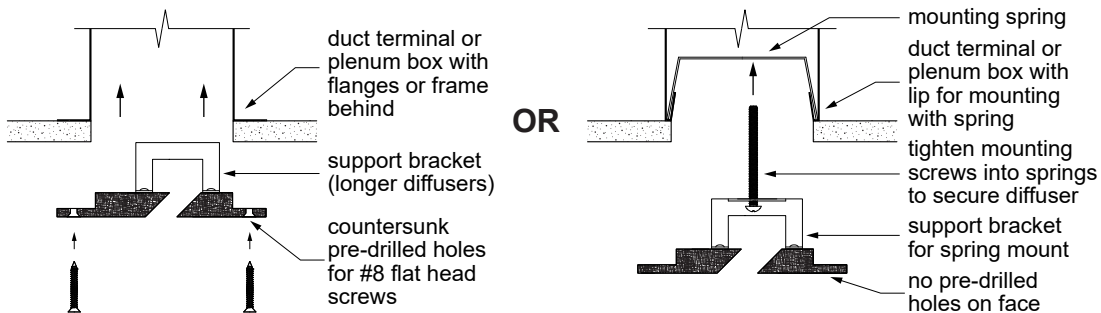


PRODUCT DIMENSIONS

| | PRODUCT CODE | (A) DIFFUSER LENGTH | (B) SLOT WIDTH | (Cx, Cy) OVERALL PRODUCT DIMENSIONS | (Dx, Dy) OPENING / PLENUM BOX / DUCT DIMENSIONS | (Ex, Ey) NECK SIZE |
|--------------------------|--------------|---------------------|----------------|-------------------------------------|---|---------------------|
| <input type="checkbox"/> | L45F1050 | SPECIFY | 1/2" | A + 4" x 5 1/2" | A + 2" x 3" | A + 1 7/8" x 2 7/8" |
| <input type="checkbox"/> | L45F1075 | SPECIFY | 3/4" | A + 4" x 5 3/4" | A + 2" x 3 1/4" | A + 1 7/8" x 3 1/8" |
| <input type="checkbox"/> | L45F1100 | SPECIFY | 1" | A + 4" x 6" | A + 2" x 3 1/2" | A + 1 7/8" x 3 3/8" |
| <input type="checkbox"/> | L45F1150 | SPECIFY | 1 1/2" | A + 4" x 6 1/2" | A + 2" x 4" | A + 1 7/8" x 3 7/8" |
| <input type="checkbox"/> | L45F1200 | SPECIFY | 2" | A + 4" x 7" | A + 2" x 4 1/2" | A + 1 7/8" x 4 3/8" |

ADDITIONAL DIFFUSER SPECIFICATIONS

DIFFUSER MOUNTS WITH FACE SCREWS OR CONCEALED SPRING MOUNT



STANDARD FACE SCREW MOUNT

CONCEALED SPRING MOUNT

NOTES:

- DIFFUSER COMES WITH PRE-DRILLED COUNTERSUNK HOLES FOR #8 FLAT HEAD MOUNTING SCREWS

- SCREW HOLES MUST LINE UP WITH FRAMING OR A PLENUM BOX FLANGE BEHIND TO SUPPORT THE DIFFUSER

NOTES:

- DIFFUSER HAS NO PRE-DRILLED HOLES

- PLENUM BOX MUST HAVE A LIP AT THE EDGE OF THE OPENING FOR DIFFUSER SPRINGS TO MOUNT INTO

- ONLY FOR 45° SLOT WIDTH ABOVE 1"



MODEL LF145
 ARCHITECTURAL FRAMED LINEAR DIFFUSERS: 1 SLOT 45° OPENING

DIFFUSER ORDER DETAILS

| PRODUCT CODE | (B) SLOT WIDTH | (A) DIFFUSER LENGTH | QTY | NOTES / OTHER SPECS |
|--------------|----------------|---------------------|-----|---------------------|
| L45F1050 | 1/2" | | | |
| | 1/2" | | | |
| | 1/2" | | | |
| L45F1075 | 3/4" | | | |
| | 3/4" | | | |
| | 3/4" | | | |
| L45F1100 | 1" | | | |
| | 1" | | | |
| | 1" | | | |
| L45F1150 | 1 1/2" | | | |
| | 1 1/2" | | | |
| | 1 1/2" | | | |
| L45F1200 | 2" | | | |
| | 2" | | | |
| | 2" | | | |

OFFICE USE ONLY: KF05 OTHER

OPTIONAL PLENUM BOX ORDER SPECIFICATIONS *

* THE TABLE BELOW SHOULD BE FILLED OUT IF YOU WISH TO PURCHASE PLENUM BOXES FROM INVI

NOTE: INVI STANDARD 1/2" INSULATION PROVIDES "R" VALUE 2 THERMAL RESISTANCE. EXTRA INSULATION CAN BE ADDED OUTSIDE THE BOX IF REQUIRED

| (Dx) PLENUM LENGTH | (Dy) PLENUM WIDTH | (Dz) PLENUM HEIGHT (SPECIFY) | QTY | DIFFUSER MOUNT TYPE | (F) COLLAR SIZE | COLLAR LOCATION (TOP / SIDE / END) | NOTES / OTHER SPECS |
|--------------------|-------------------|------------------------------|-----|---------------------|-----------------|------------------------------------|---------------------|
| | | | | | | | |
| | | | | | | | |
| | | | | | | | |
| | | | | | | | |
| | | | | | | | |
| | | | | | | | |
| | | | | | | | |

| | |
|----------------|--|
| CLIENT | |
| PROJECT | |
| ADDRESS | |
| INVOICE / PO # | |
| PREPARED BY | |

InviAir
 67 Guernsey St
 Brooklyn, NY 11222
 917-909-0343