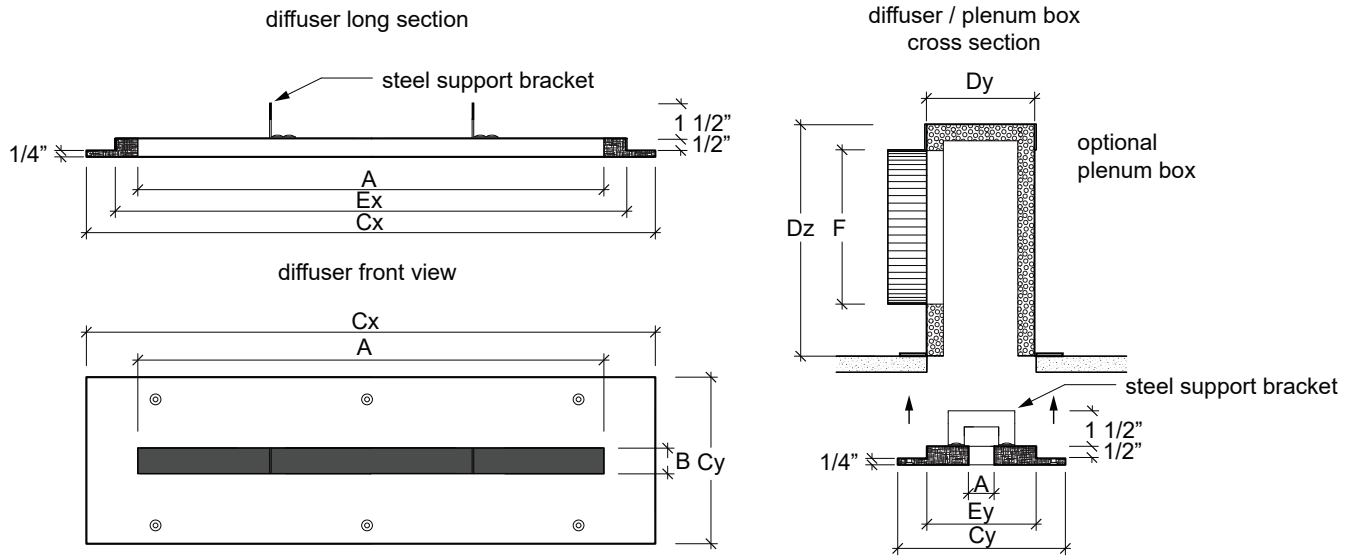


**MODEL LF100**  
 ARCHITECTURAL FRAMED LINEAR DIFFUSERS: 1 SLOT 90° OPENING

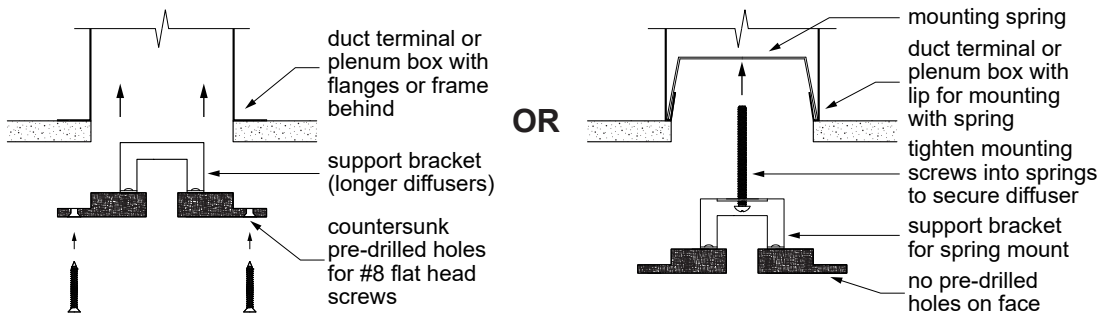


**PRODUCT DIMENSIONS**

	PRODUCT CODE	(A) DIFFUSER LENGTH	(B) SLOT WIDTH	(Cx, Cy) OVERALL PRODUCT DIMENSIONS	(Dx, Dy) OPENING / PLENUM BOX / DUCT DIMENSIONS	(Ex, Ey) NECK SIZE
<input type="checkbox"/>	L00F1050	SPECIFY	1/2"	A + 3" x 4 1/2"	A + 1" x 2 1/2"	A + 7/8" x 2 3/8"
<input type="checkbox"/>	L00F1075	SPECIFY	3/4"	A + 3" x 4 3/4"	A + 1" x 2 3/4"	A + 7/8" x 2 5/8"
<input type="checkbox"/>	L00F1100	SPECIFY	1"	A + 3" x 5"	A + 1" x 3"	A + 7/8" x 2 7/8"
<input type="checkbox"/>	L00F1150	SPECIFY	1 1/2"	A + 3" x 5 1/2"	A + 1" x 3 1/2"	A + 7/8" x 3 3/8"
<input type="checkbox"/>	L00F1200	SPECIFY	2"	A + 3" x 6"	A + 1" x 4"	A + 7/8" x 3 7/8"

**ADDITIONAL DIFFUSER SPECIFICATIONS**

DIFFUSER MOUNTS WITH FACE SCREWS OR CONCEALED SPRING MOUNT



STANDARD FACE SCREW MOUNT

CONCEALED SPRING MOUNT

**NOTES:**

- DIFFUSER COMES WITH PRE-DRILLED COUNTERSUNK HOLES FOR #8 FLAT HEAD MOUNTING SCREWS

- SCREW HOLES MUST LINE UP WITH FRAMING OR A PLENUM BOX FLANGE BEHIND TO SUPPORT THE DIFFUSER

**NOTES:**

- DIFFUSER HAS NO PRE-DRILLED HOLES

- PLENUM BOX MUST HAVE A LIP AT THE EDGE OF THE OPENING FOR DIFFUSER SPRINGS TO MOUNT INTO



**MODEL LF100**  
 ARCHITECTURAL FRAMED LINEAR DIFFUSERS: 1 SLOT 90° OPENING

**DIFFUSER ORDER DETAILS**

PRODUCT CODE	(B) SLOT WIDTH	(A) DIFFUSER LENGTH	QTY	NOTES / OTHER SPECS
L00F1050	1/2"			
	1/2"			
	1/2"			
L00F1075	3/4"			
	3/4"			
	3/4"			
L00F1100	1"			
	1"			
	1"			
L00F1150	1 1/2"			
	1 1/2"			
	1 1/2"			
L00F1200	2"			
	2"			
	2"			

OFFICE USE ONLY:  KF05  OTHER

**OPTIONAL PLENUM BOX ORDER SPECIFICATIONS \***

\* THE TABLE BELOW SHOULD BE FILLED OUT IF YOU WISH TO PURCHASE PLENUM BOXES FROM INVI

NOTE: INVI STANDARD 1/2" INSULATION PROVIDES "R" VALUE 2 THERMAL RESISTANCE. EXTRA INSULATION CAN BE ADDED OUTSIDE THE BOX IF REQUIRED

(Dx) PLENUM LENGTH	(Dy) PLENUM WIDTH	(Dz) PLENUM HEIGHT (SPECIFY)	QTY	DIFFUSER MOUNT TYPE	(F) COLLAR SIZE	COLLAR LOCATION (TOP / SIDE / END)	NOTES / OTHER SPECS

CLIENT	
PROJECT	
ADDRESS	
INVOICE / PO #	
PREPARED BY	

InviAir  
 67 Guernsey St  
 Brooklyn, NY 11222  
 917-909-0343