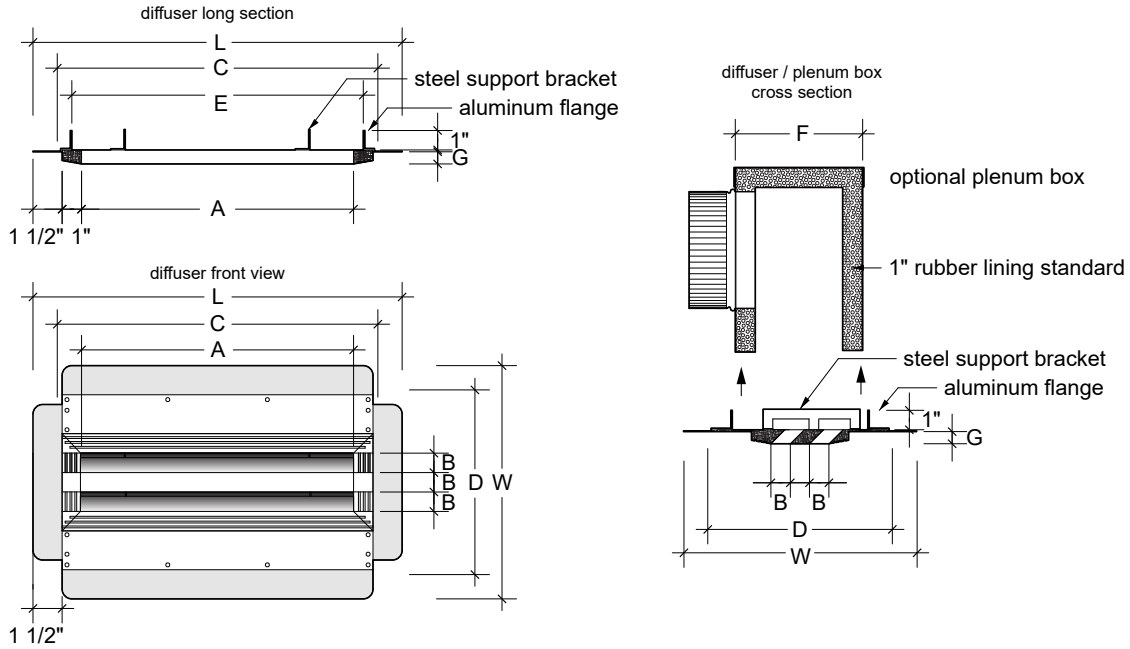




MODEL L245
 ARCHITECTURAL LINEAR DIFFUSERS: 2 SLOT 45° PARALLEL OPENING
 FLUSH MOUNT, TAPE AND SPACKLE INSTALLATION

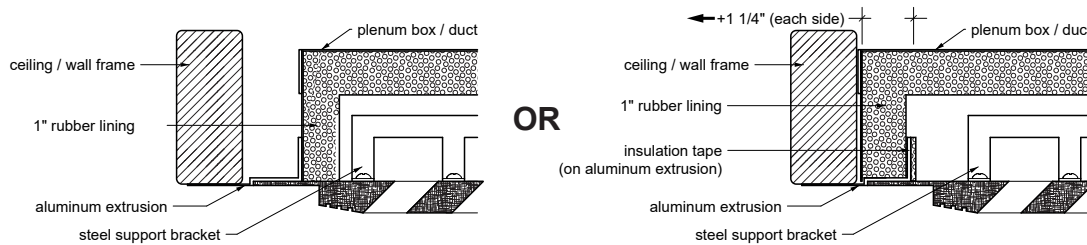


PRODUCT DIMENSIONS

| | PRODUCT CODE | (A) DIFFUSER LENGTH | (B) SLOT WIDTH | (C) ROUGH OPENING LENGTH | (D) ROUGH OPENING WIDTH | (E) PLENUM BOX LENGTH | (F) PLENUM BOX WIDTH | (L) OVERALL PRODUCT LENGTH | (W) OVERALL PRODUCT WIDTH | (G) GYPSUM BOARD THICKNESS |
|--------------------------|--------------|---------------------|----------------|--------------------------|-------------------------|-----------------------|----------------------|----------------------------|---------------------------|----------------------------|
| <input type="checkbox"/> | L45P2050 | SPECIFY | 1/2" | A + 2.5" | 8" | A + 1" | 5 1/2" | A + 5" | 10 1/2" | UP TO 5/8" |
| <input type="checkbox"/> | L45P2075 | SPECIFY | 3/4" | A + 2.5" | 8 3/4" | A + 1" | 6 1/4" | A + 5" | 11 1/4" | UP TO 5/8" |
| <input type="checkbox"/> | L45P2100 | SPECIFY | 1" | A + 2.5" | 9 1/2" | A + 1" | 7" | A + 5" | 12" | UP TO 5/8" |
| <input type="checkbox"/> | L45P2150 | SPECIFY | 1 1/2" | A + 2.5" | 11" | A + 1" | 8 1/2" | A + 5" | 13 1/2" | UP TO 5/8" |
| <input type="checkbox"/> | L45P2200 | SPECIFY | 2" | A + 2.5" | 12 1/2" | A + 1" | 10" | A + 5" | 15" | UP TO 5/8" |

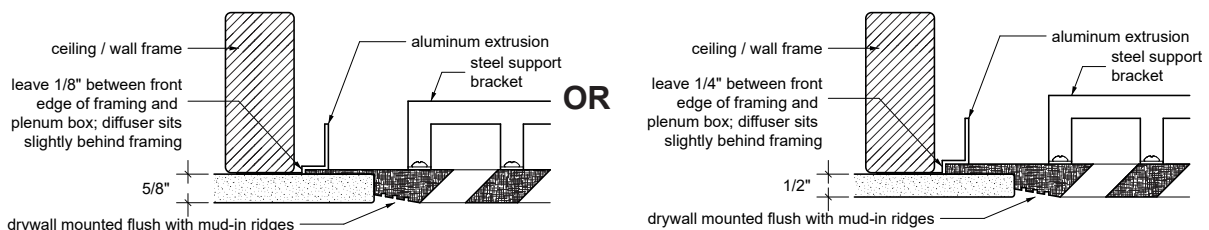
DIFFUSER SPECIFICATIONS AND OPTIONS

1) DIFFUSER INSTALLS OUTSIDE OR INSIDE OF PLENUM BOX OR DUCT



STANDARD DIFFUSER-OUT INSTALLATION DIFFUSER-IN INSTALLATION (ADD +1.25" TO E AND +2.25" TO F)

2) DIFFUSER MADE FOR 5/8" OR 1/2" GYPSUM BOARD



5/8" GYPSUM BOARD

1/2" GYPSUM BOARD



MODEL L200
 ARCHITECTURAL LINEAR DIFFUSERS: 2 SLOT 90° OPENING
 FLUSH MOUNT, TAPE AND SPACKLE INSTALLATION

DIFFUSER ORDER DETAILS

| PRODUCT CODE | (B) SLOT WIDTH | (A) DIFFUSER LENGTH | (E) GYPSUM BOARD THICKNESS | QTY | NOTES / OTHER SPECS |
|--------------|----------------|---------------------|----------------------------|-----|---------------------|
| L45P2050 | 1/2" | | | | |
| | 1/2" | | | | |
| | 1/2" | | | | |
| L45P2075 | 3/4" | | | | |
| | 3/4" | | | | |
| | 3/4" | | | | |
| L45P2100 | 1" | | | | |
| | 1" | | | | |
| | 1" | | | | |
| L45P2150 | 1 1/2" | | | | |
| | 1 1/2" | | | | |
| | 1 1/2" | | | | |
| L45P2200 | 2" | | | | |
| | 2" | | | | |
| | 2" | | | | |

OFFICE USE ONLY: KF05 OTHER

OPTIONAL PLENUM BOX ORDER SPECIFICATIONS *

* THE TABLE BELOW SHOULD BE FILLED OUT IF YOU WISH TO PURCHASE PLENUM BOXES FROM INVI

** ADD +1.25" TO E AND +2.25" TO F OVER STANDARD DIMENSIONS IF YOU CHOSE DIFFUSER-IN INSTALLATION

| E ** PLENUM LENGTH | F ** PLENUM WIDTH | PLENUM HEIGHT (SPECIFY) | QTY | DIFFUSER MOUNT TYPE | COLLAR SIZE | COLLAR LOCATION (TOP / SIDE / END) | NOTES / OTHER SPECS |
|-----------------------|----------------------|-------------------------|-----|---------------------|-------------|------------------------------------|---------------------|
| | | | | | | | |
| | | | | | | | |
| | | | | | | | |
| | | | | | | | |
| | | | | | | | |
| | | | | | | | |
| | | | | | | | |

| | |
|----------------|--|
| CLIENT | |
| PROJECT | |
| ADDRESS | |
| INVOICE / PO # | |
| PREPARED BY | |

InviAir
 67 Guernsey St
 Brooklyn, NY 11222
 917-909-0343