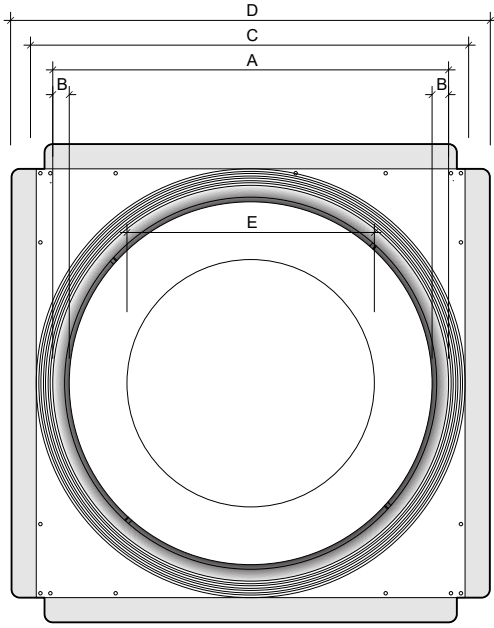
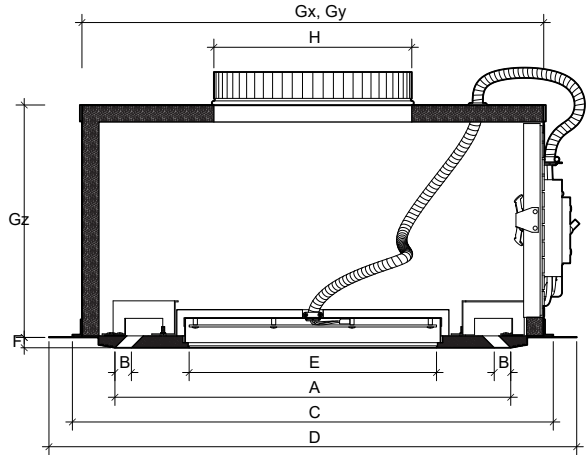




ARCHITECTURAL SQUARE DIFFUSERS
MODEL # RL2401100



front view



section

KEY FEATURES:

- Tape and spackle installation
- ASTM E-84 Class A rated

NOTES:

- Custom plenum box provided by Invi, with minimum 8" height (side collar only, or 12" minimum with top collar)
- Diffuser face removable for access to light assembly
- Light assembly and plenum box lined with foam rubber insulation

PRODUCT DIMENSIONS

MODEL #	(A) DIFFUSER OPENING	QTY	# SLOTS	(B) SLOT WIDTH	(C) REQ. CEILING FRAME OPENING	(D) OVERALL PRODUCT SIZE	(E) LIGHT SIZE	LIGHT TEMP. (WARM /COOL)	(F) GYPSUM BOARD THICKNESS (SPECIFY)
RL2401100	24"		1	1"	26 1/2" x 26 1/2"	29" x 29"	15"		
RL2401100	24"		1	1"	26 1/2" x 26 1/2"	29" x 29"	15"		

PLENUM BOX SPECIFICATIONS

(Gx) PLENUM LENGTH	(Gy) PLENUM WIDTH	(Gz) PLENUM HEIGHT (SEE NOTES)	QUANTITY	DUCT CONNECTION TYPE	COLLAR SIZE	COLLAR LOCATION (TOP / SIDE)	NOTES / OTHER SPECS
24"	24"						
24"	24"						
24"	24"						
24"	24"						
24"	24"						

CONTRACTOR	
PROJECT	
ADDRESS	
ENGINEER	
PREPARED BY	

InviAir
67 Guernsey St
Brooklyn, NY 11222
917-909-0343