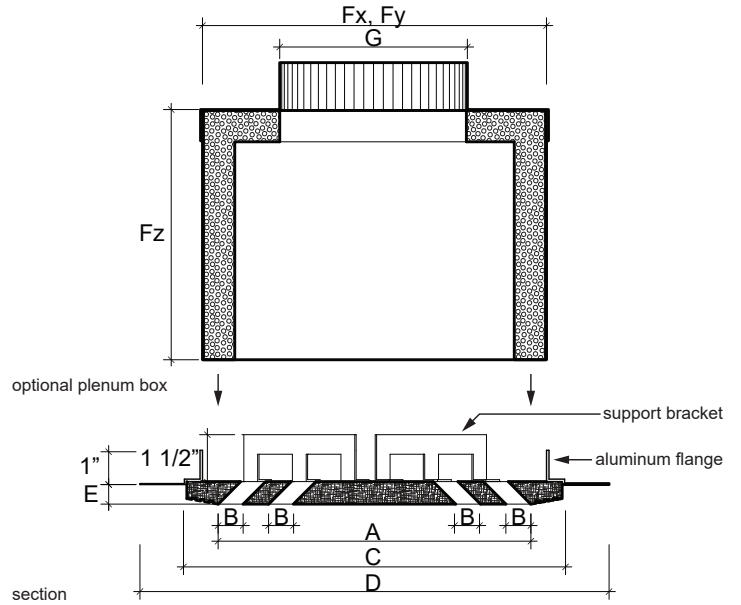
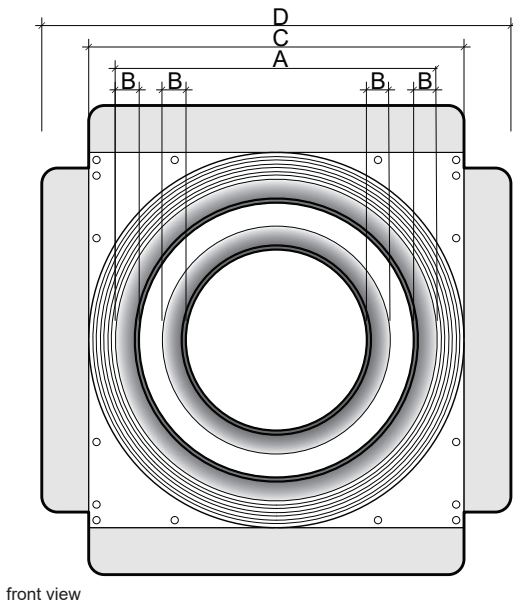




**MODEL R200**  
**ARCHITECTURAL ROUND DIFFUSERS: 2 SLOT 45° OPENING**  
**FLUSH MOUNT, TAPE AND SPACKLE INSTALLATION**

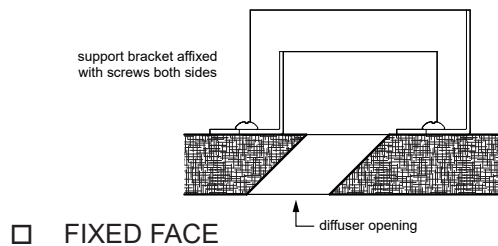


**PRODUCT DIMENSIONS**

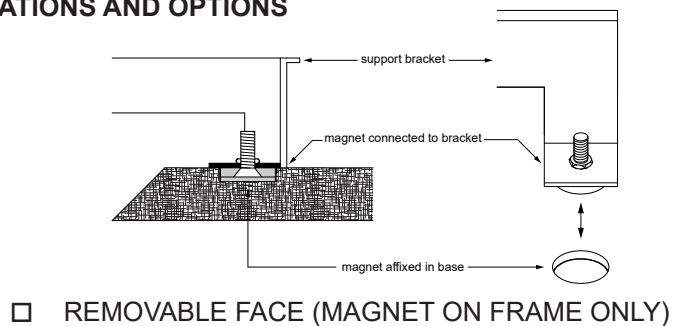
	<b>PRODUCT CODE</b>	<b>(A) DIFFUSER OPENING (DIAMETER)</b>	<b>(B) SLOT/BAR WIDTH</b>	<b>(C) REQ. CEILING FRAME OPENING</b>	<b>(D) OVERALL PRODUCT DIMENSIONS</b>	<b>(E) GYPSUM BOARD THICKNESS</b>	<b>(Fx, Fy) STANDARD PLENUM BOX DIMENSIONS</b>
<input type="checkbox"/>	R1202088	12"	7/8"	14.5" x 14.5"	17" x 17"	UP TO 5/8"	12" x 12"
<input type="checkbox"/>	R1802100	18"	1"	20.5" x 20.5"	23" x 23"	UP TO 5/8"	18" x 18"
<input type="checkbox"/>	R2402100	24"	1"	26.5" x 26.5"	29" x 29"	UP TO 5/8"	22" x 22"

**DIFFUSER SPECIFICATIONS AND OPTIONS**

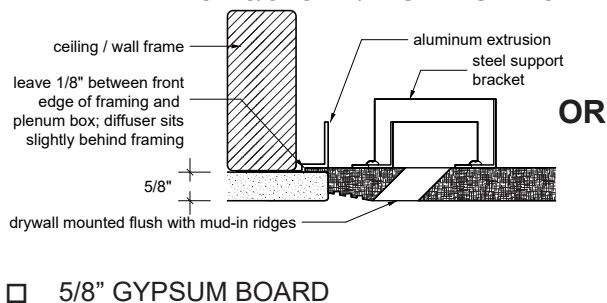
1) DIFFUSER FACE IS FIXED OR REMOVABLE



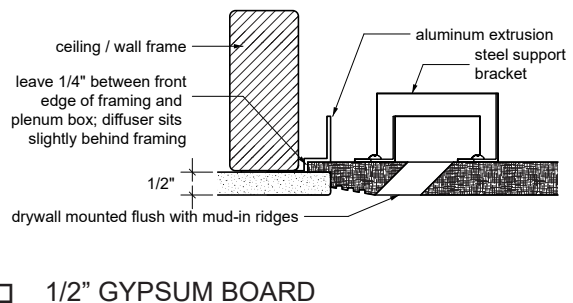
OR



2) DIFFUSER IS MADE FOR 5/8" OR 1/2" GYPSUM BOARD



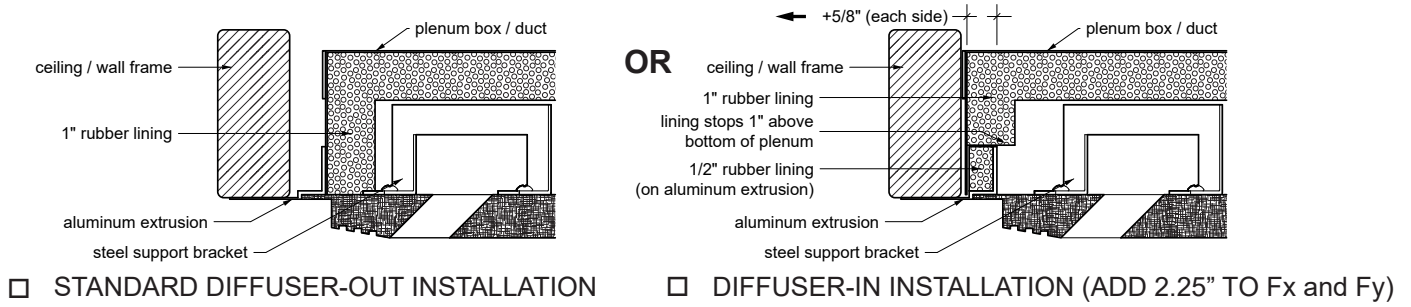
OR





**MODEL R200**  
**ARCHITECTURAL ROUND DIFFUSERS: 2 SLOT 45° OPENING**  
**FLUSH MOUNT, TAPE AND SPACKLE INSTALLATION**

3) DIFFUSER INSTALLS OUTSIDE OR INSIDE OF PLENUM BOX



**DIFFUSER ORDER DETAILS**

PRODUCT CODE	DIFFUSER OPENING (DIAMETER)	QTY	DIFFUSER FACE FIXED OR REMOVABLE (SPECIFY)	(E) GYPSUM BOARD THICKNESS (SPECIFY)	NOTES / OTHER SPECS
R1202088	12"				
	12"				
R1802100	18"				
	18"				
R2402100	24"				
	24"				

**OPTIONAL PLENUM BOX ORDER SPECIFICATIONS \***

\* THE TABLE BELOW SHOULD BE FILLED OUT IF YOU WISH TO PURCHASE PLENUM BOXES FROM INVI

\*\* ADD 2.25" TO Dx AND Dy OVER STANDARD DIMENSIONS IF YOU CHOSE DIFFUSER-IN INSTALLATION

(Fx) ** PLENUM LENGTH	(Fy) ** PLENUM WIDTH	(Fz) PLENUM HEIGHT (SPECIFY)	QTY	DUCT CONNECTION TYPE	(G) COLLAR SIZE	COLLAR LOCATION (TOP / SIDE)	NOTES / OTHER SPECS

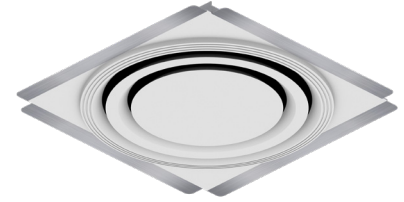
CONTRACTOR	
PROJECT	
ADDRESS	
ENGINEER	
PREPARED BY	

InviAir  
 67 Guernsey St  
 Brooklyn, NY 11222  
 917-909-0343



**PERFORMANCE DATA**

**INVAIR 2-SLOT ROUND DIFFUSER, 45° OPENING**



ALL PERFORMANCE DATA FROM TESTING CONDUCTED BY INTERTEK GROUP, IN ACCORDANCE WITH ASHRAE 70-06

DIFFUSER SIZE (DIAMETER)	AREA FACTOR (Ak)	PARAMETERS	PERFORMANCE					
12"	0.188	VOLUME (CFM)	118	157	196	236	275	314
		STATIC PRESSURE (in. w.g.)	.018	.031	.047	.067	.090	.116
		NOISE CRITERIA	<15	<15	<15	18	22	26
		THROW (ft. at 50 / 100 / 150 fpm)	5 / 3 / <2	7 / 4 / 2	9 / 5 / 3	10 / 6 / 4	11 / 7 / 4	13 / 8 / 5
18"	0.380	VOLUME (CFM)	265	353	442	530	619	707
		STATIC PRESSURE (in. w.g.)	.021	.037	.056	.079	.106	.136
		NOISE CRITERIA	<15	<15	16	22	28	32
		THROW (ft. at 50 / 100 / 150 fpm)	7 / 5 / 3	9 / 6 / 4	11 / 8 / 5	12 / 9 / 6	14 / 10 / 7	15 / 11 / 8
24"	0.612	VOLUME (CFM)	314	417	628	785	942	1100
		STATIC PRESSURE (in. w.g.)	.007	.016	.031	.052	.078	.111
		NOISE CRITERIA	<15	20	29	37	43	48
		THROW (ft. at 50 / 100 / 150 fpm)	7 / 4 / 2	10 / 6 / 3	12 / 7 / 4	15 / 9 / 6	17 / 10 / 7	20 / 12 / 8

NOTES: Volume (CFM): standard air density and isothermal conditions

Static Pressure: inches of water gauge

Noise Criteria: based on room attenuation of 10dB (sound power level re: 10-12 watts) with 1 diffuser operating

Throw: projection distance in feet from the diffuser discharge at which the maximum velocity has been reduced to the specified terminal velocity

Terminal Velocity: maximum velocity (Vt) in feet per minute, at the specified distance from the outlet face