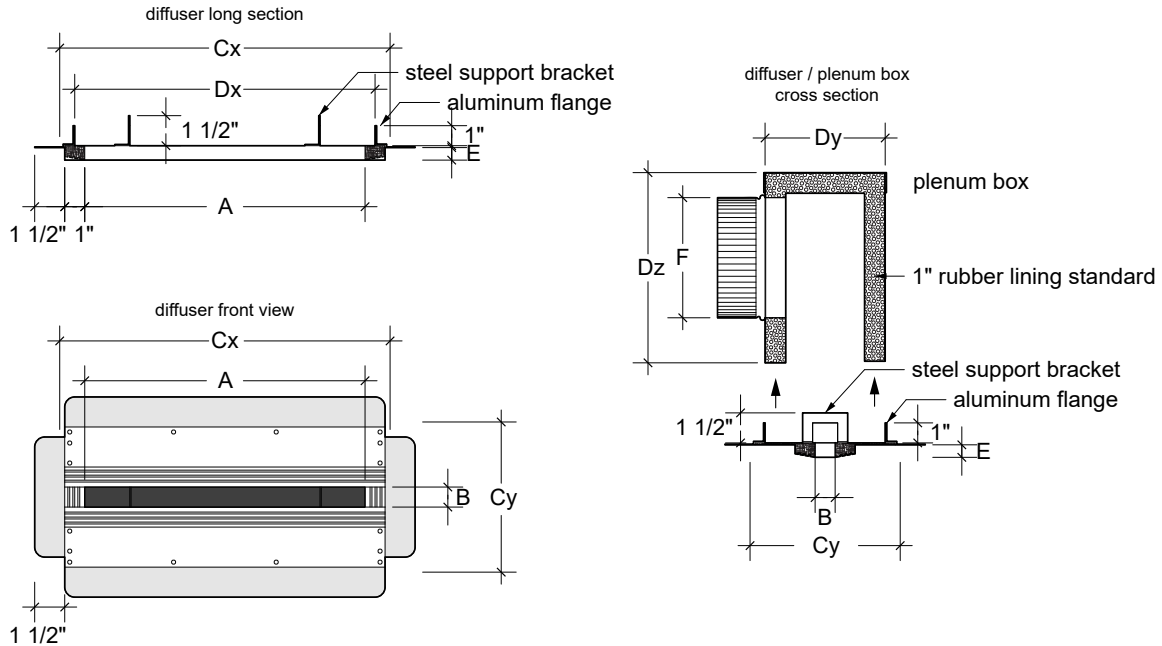


MODEL L100
ARCHITECTURAL LINEAR DIFFUSERS: 1 SLOT 90° OPENING
FLUSH MOUNT, TAPE AND SPACKLE INSTALLATION

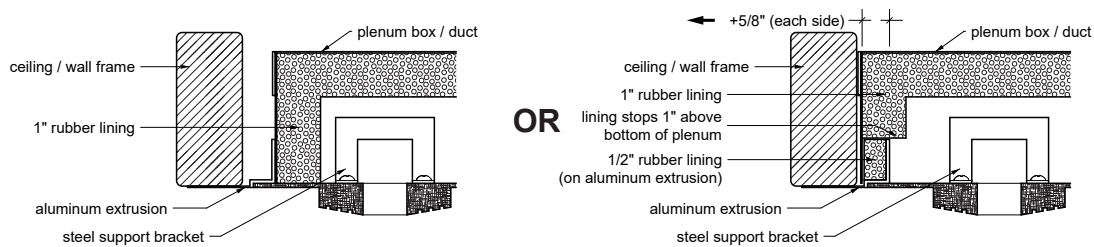


PRODUCT DIMENSIONS

	PRODUCT CODE	(A) DIFFUSER LENGTH	(B) SLOT WIDTH	(C) REQ. CEILING FRAME OPENING	(Dx, Dy) STANDARD PLENUM BOX / DUCT DIMENSIONS	(E) GYPSUM BOARD THICKNESS
<input type="checkbox"/>	L0001050	SPECIFY	1/2"	A + 2.5" x 7"	A + 1" x 4.5"	UP TO 5/8"
<input type="checkbox"/>	L0001075	SPECIFY	3/4"	A + 2.5" x 7.25"	A + 1" x 4.75"	UP TO 5/8"
<input type="checkbox"/>	L0001100	SPECIFY	1"	A + 2.5" x 7.5"	A + 1" x 5"	UP TO 5/8"
<input type="checkbox"/>	L0001150	SPECIFY	1 1/2"	A + 2.5" x 8"	A + 1" x 5.5"	UP TO 5/8"
<input type="checkbox"/>	L0001200	SPECIFY	2"	A + 2.5" x 8.5"	A + 1" x 6"	UP TO 5/8"

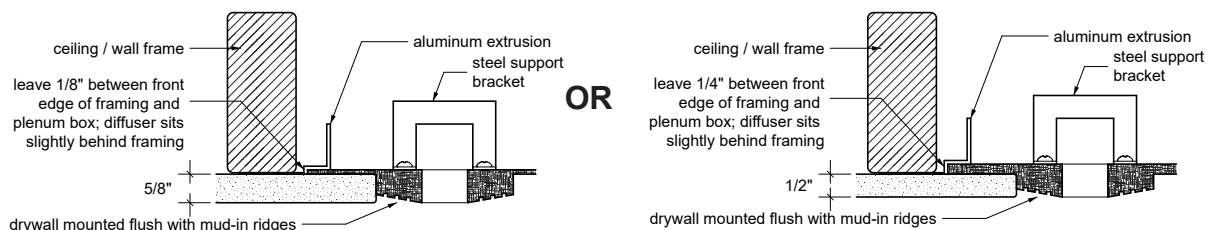
DIFFUSER SPECIFICATIONS AND OPTIONS

1) DIFFUSER INSTALLS OUTSIDE OR INSIDE OF PLENUM BOX OR DUCT



- STANDARD DIFFUSER-OUT INSTALLATION DIFFUSER-IN INSTALLATION (ADD 1.25" TO Dx and 2.25" TO Dy)

2) DIFFUSER MADE FOR 5/8" OR 1/2" GYPSUM BOARD



- 5/8" GYPSUM BOARD

- 1/2" GYPSUM BOARD



MODEL L100
ARCHITECTURAL LINEAR DIFFUSERS: 1 SLOT 90° OPENING
FLUSH MOUNT, TAPE AND SPACKLE INSTALLATION

DIFFUSER ORDER DETAILS

PRODUCT CODE	(B) SLOT WIDTH	(A) DIFFUSER LENGTH	(E) GYPSUM BOARD THICKNESS	QTY	NOTES / OTHER SPECS
L0001050	1/2"				
	1/2"				
	1/2"				
L0001075	3/4"				
	3/4"				
	3/4"				
L0001100	1"				
	1"				
	1"				
L0001150	1 1/2"				
	1 1/2"				
	1 1/2"				
L0001200	2"				
	2"				
	2"				

OPTIONAL PLENUM BOX ORDER SPECIFICATIONS *

* THE TABLE BELOW SHOULD BE USED IF YOU WISH TO PURCHASE PLENUM BOXES FROM INVI

** ADD 1.25" TO Dx AND 2.25" TO Dy OVER STANDARD DIMENSIONS IF YOU CHOSE DIFFUSER-IN INSTALLATION

(Dx) ** PLENUM LENGTH	(Dy) ** PLENUM WIDTH	(Dz) PLENUM HEIGHT (SPECIFY)	QTY	DUCT CONNECTION TYPE	(F) COLLAR SIZE	COLLAR LOCATION (TOP / SIDE / END)	NOTES / OTHER SPECS

CONTRACTOR	
PROJECT	
ADDRESS	
ENGINEER	
PREPARED BY	

InviAir
 67 Guernsey St
 Brooklyn, NY 11222
 917-909-0343



PERFORMANCE DATA

INVAIR 1-SLOT LINEAR DIFFUSER, 90° OPENING

ALL PERFORMANCE DATA FROM TESTING CONDUCTED BY INTERTEK GROUP, IN ACCORDANCE WITH ASHRAE 70-06



SLOT WIDTH	AREA FACTOR (Ak per ft)	PARAMETERS	PERFORMANCE					
0.5"	0.034	VOLUME (CFM / ft. of length)	13	21	25	38	42	46
		STATIC PRESSURE (in. w.g.)	.005	.014	.020	.052	.055	.067
		NOISE CRITERIA	<15	<15	<15	<15	19	21
		THROW (ft. at 50 / 100 / 150 fpm)	5 / <2 / <2	12 / 5 / 2	16 / 8 / 3	24 / 16 / 8	33 / 25 / 13	39 / 30 / 16
0.75"	0.052	VOLUME (CFM / ft. of length)	19	31	44	50	56	63
		STATIC PRESSURE (in. w.g.)	.007	.018	.035	.045	.057	.071
		NOISE CRITERIA	<15	<15	<15	15	18	20
		THROW (ft. at 50 / 100 / 150 fpm)	11 / 3 / <2	15 / 8 / 3	21 / 15 / 7	25 / 19 / 10	30 / 23 / 13	36 / 28 / 16
1.0"	0.073	VOLUME (CFM / ft. of length)	25	42	50	58	67	75
		STATIC PRESSURE (in. w.g.)	.008	.022	.032	.043	.056	.070
		NOISE CRITERIA	<15	<15	<15	<15	16	19
		THROW (ft. at 50 / 100 / 150 fpm)	15 / 6 / 2	18 / 10 / 5	20 / 13 / 7	23 / 17 / 9	27 / 21 / 12	32 / 25 / 15
1.5"	0.095	VOLUME (CFM / ft. of length)	38	63	75	88	100	113
		STATIC PRESSURE (in. w.g.)	.011	.031	.044	.059	.076	.096
		NOISE CRITERIA	<15	<15	<15	<15	17	20
		THROW (ft. at 50 / 100 / 150 fpm)	19 / 8 / 3	22 / 13 / 7	25 / 16 / 10	28 / 19 / 12	32 / 24 / 15	37 / 28 / 18
2"	0.117	VOLUME (CFM / ft. of length)	50	83	100	117	133	150
		STATIC PRESSURE (in. w.g.)	.015	.039	.056	.075	.097	.122
		NOISE CRITERIA	<15	<15	<15	<15	16	20
		THROW (ft. at 50 / 100 / 150 fpm)	18 / 6 / 3	25 / 11 / 9	29 / 15 / 12	34 / 19 / 15	39 / 24 / 18	44 / 29 / 21

NOTES: Volume (CFM): standard air density and isothermal conditions

Static Pressure: inches of water gauge

Noise Criteria: based on room attenuation of 10dB (sound power level re: 10-12 watts) with 1 diffuser operating

Throw: projection distance in feet from the diffuser discharge at which the maximum velocity has been reduced to the specified terminal velocity

Terminal Velocity: maximum velocity (Vt) in feet per minute, at the specified distance from the outlet face

Actual samples used for testing measured 4 feet in length

NOISE CRITERIA (NC) ADJUSTMENTS FOR VARIOUS LENGTHS			
24" = -3 NC	48" = ±0 NC	60" = +1 NC	96" = +3 NC