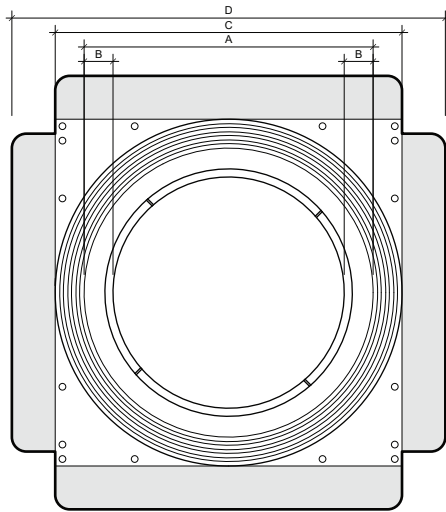
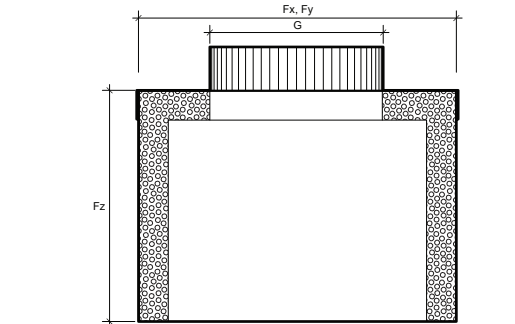




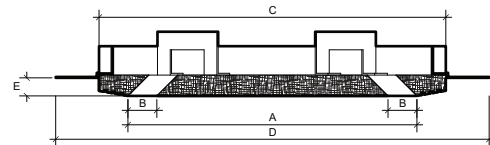
ARCHITECTURAL ROUND DIFFUSERS MODEL #  
R1801100



front view



optional plenum box



section

**KEY FEATURES:**

- Tape and spackle installation
- ASTM E-84 Class A rated

**NOTES:**

- Slide plenum box into vertical flanges and screw to secure
- Product size includes aluminum flanges
- Steel support brackets variable

**PRODUCT DIMENSIONS**

MODEL #	QTY	# SLOTS	(A) DIFFUSER OPENING	(B) SLOT WIDTH	(C) REQ. CEILING FRAME OPENING	(D) OVERALL PRODUCT DIMENSIONS	ALUMINUM FLANGE WIDTH	(E) GYPSUM BOARD THICKNESS (SPECIFY)
R1801100		1	18"	1"	20.5" x 20.5"	23" x 23"	1 1/2"	

**OPTIONAL PLENUM BOX SPECIFICATIONS**

(Fx) PLENUM LENGTH	(Fy) PLENUM LENGTH	(Fz) PLENUM HEIGHT (SPECIFY)	QTY	DUCT CONNECTION TYPE	(G) COLLAR SIZE	COLLAR LOCATION (TOP / SIDE)	VOLUME DAMPER TYPE	VOLUME DAMPER SIZE
18 3/4"	18 3/4"							
18 3/4"	18 3/4"							
18 3/4"	18 3/4"							
18 3/4"	18 3/4"							
18 3/4"	18 3/4"							

CONTRACTOR	
PROJECT	
ADDRESS	
ENGINEER	
PREPARED BY	

InviAir  
67 Guernsey St  
Brooklyn, NY 11222  
917-909-0343