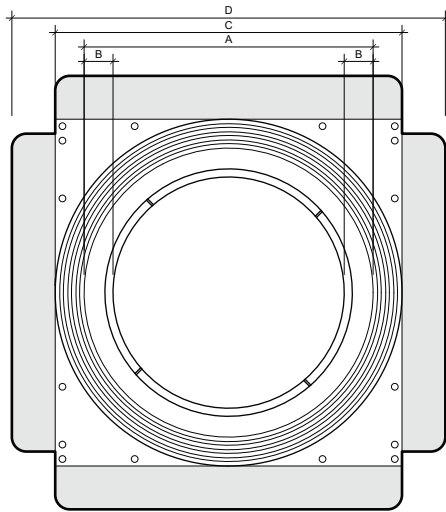
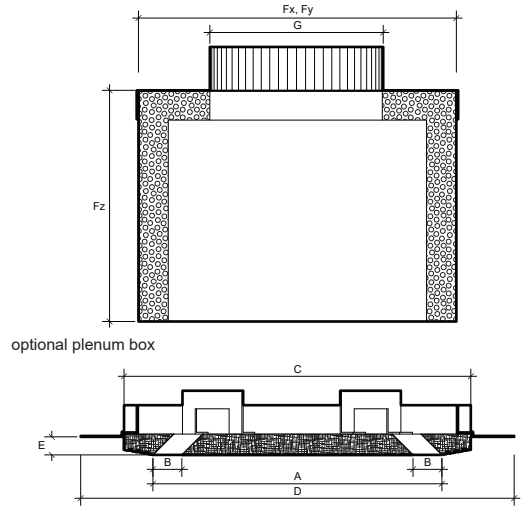




ARCHITECTURAL ROUND DIFFUSERS MODEL #  
R1201088



front view



optional plenum box

section

**KEY FEATURES:**

- Tape and spackle installation
- ASTM E-84 Class A rated

**NOTES:**

- Slide plenum box into vertical flanges and screw to secure
- Product size includes aluminum flanges
- Steel support brackets variable

**PRODUCT DIMENSIONS**

MODEL #	QTY	# SLOTS	(A) DIFFUSER OPENING	(B) SLOT WIDTH	(C) REQ. CEILING FRAME OPENING	(D) OVERALL PRODUCT DIMENSIONS	ALUMINUM FLANGE WIDTH	(E) GYPSUM BOARD THICKNESS (SPECIFY)
R1201088		1	12"	7/8"	14.5" x 14.5"	17" x 17"	1 1/2"	

**OPTIONAL PLENUM BOX SPECIFICATIONS**

(Fx) PLENUM LENGTH	(Fy) PLENUM LENGTH	(Fz) PLENUM HEIGHT (SPECIFY)	QTY	DUCT CONNECTION TYPE	(G) COLLAR SIZE	COLLAR LOCATION (TOP / SIDE)	VOLUME DAMPER TYPE	VOLUME DAMPER SIZE
12 3/4"	12 3/4"							
12 3/4"	12 3/4"							
12 3/4"	12 3/4"							
12 3/4"	12 3/4"							
12 3/4"	12 3/4"							

CONTRACTOR	
PROJECT	
ADDRESS	
ENGINEER	
PREPARED BY	

InviAir  
67 Guernsey St  
Brooklyn, NY 11222  
917-909-0343