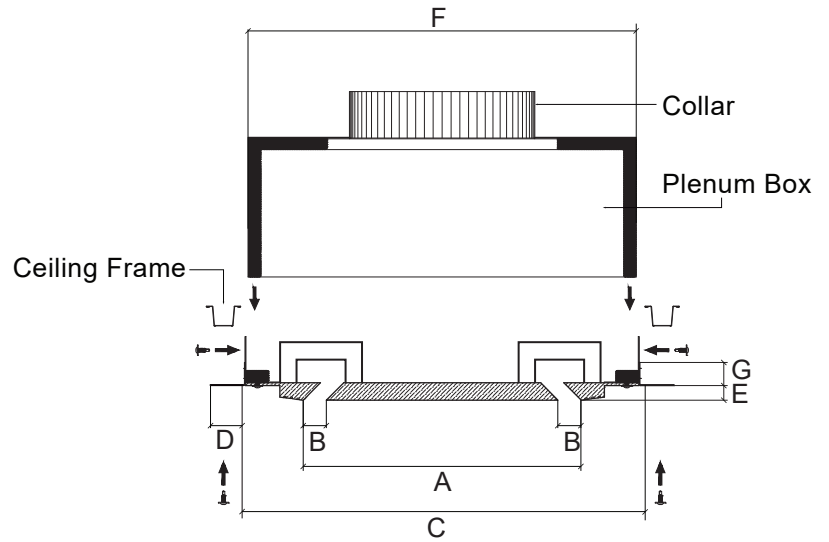
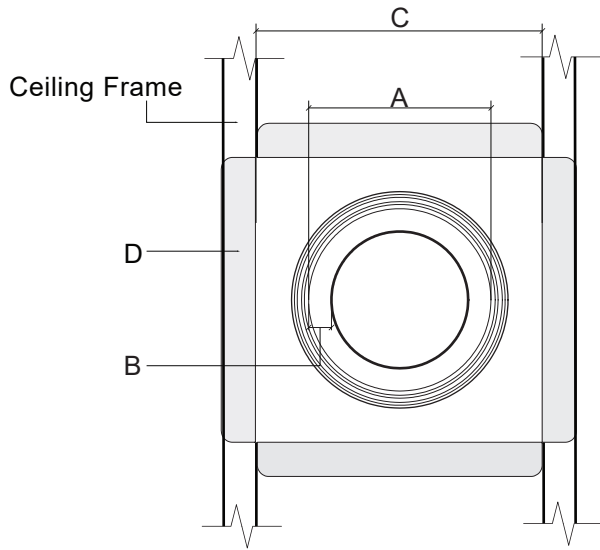




ARCHITECTURAL ROUND DIFFUSERS MODEL #
R2401100



KEY FEATURES:

- Tape and spackle installation
- ASTM E-84 Class A rated

NOTES:

- Slide plenum box into vertical flanges and screw 1" above product frame
- Plenum box should be made 1" shorter than desired final height
- 1" foam insulation lining on product edges
- Steel adjustment brackets variable

PRODUCT DIMENSIONS

| MODEL # | QUANTITY | # SLOTS | (A) DIFFUSER OPENING | (B) SLOT WIDTH | (C) CEILING FRAME OPENING | (D) STEEL FLANGES | (E) GYPSUM BOARD THICKNESS (SPECIFY) | (G) PLENUM HEIGHT OFFSET |
|----------|----------|---------|----------------------|----------------|---------------------------|-------------------|--------------------------------------|--------------------------|
| R2401100 | | 1 | 24" | 1" | 29 1/2" | 1 1/2" | | 1" |

OPTIONAL PLENUM BOX SPECIFICATIONS

| (F) PLENUM LENGTH | (F) PLENUM WIDTH | PLENUM HEIGHT (SPECIFY) | QUANTITY | DUCT CONNECTION TYPE | COLLAR SIZE | COLLAR LOCATION (TOP / SIDE) | VOLUME DAMPER TYPE | VOLUME DAMPER SIZE |
|-------------------|------------------|-------------------------|----------|----------------------|-------------|------------------------------|--------------------|--------------------|
| 28 3/4" | 28 3/4" | | | | | T S | | |
| 28 3/4" | 28 3/4" | | | | | T S | | |
| 28 3/4" | 28 3/4" | | | | | T S | | |
| 28 3/4" | 28 3/4" | | | | | T S | | |
| 28 3/4" | 28 3/4" | | | | | T S | | |

| | |
|-------------|--|
| CONTRACTOR | |
| PROJECT | |
| ADDRESS | |
| ENGINEER | |
| PREPARED BY | |

InviAir
67 Guernsey St
Brooklyn, NY 11222
917-909-0343