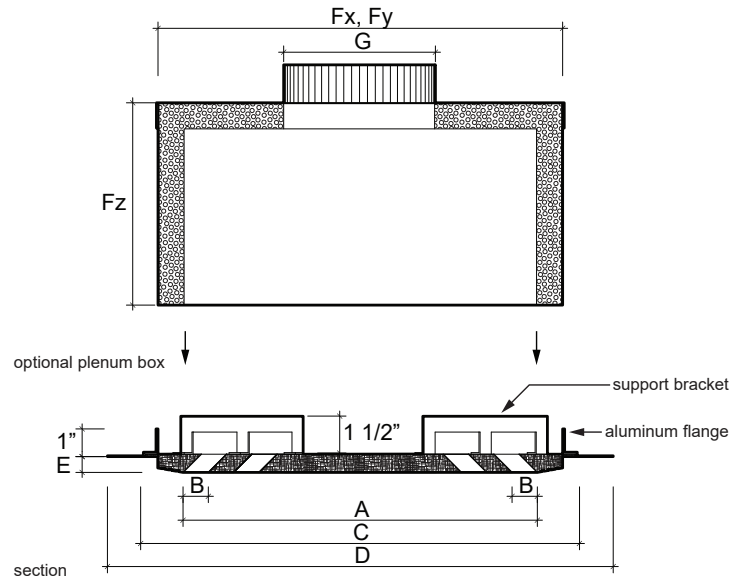
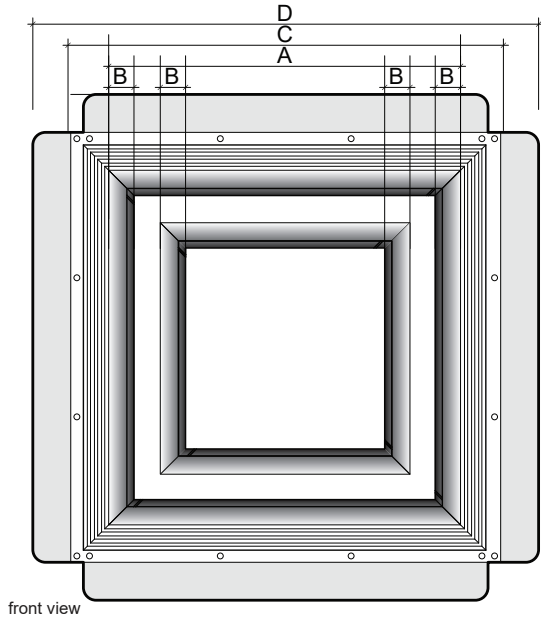




MODEL S200
ARCHITECTURAL SQUARE DIFFUSERS: 2 SLOT 45° OPENING
FLUSH MOUNT, TAPE AND SPACKLE INSTALLATION

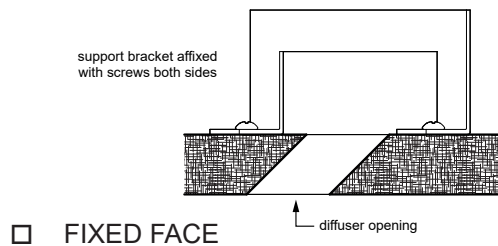


PRODUCT DIMENSIONS

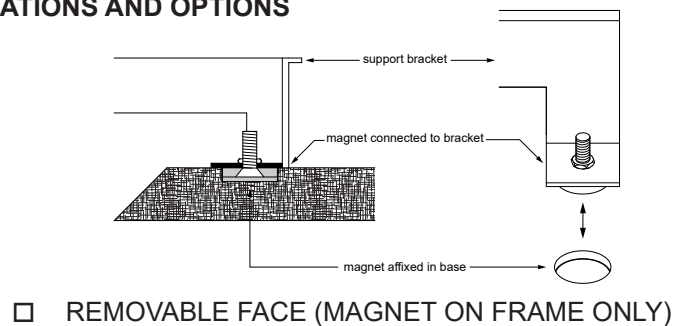
	PRODUCT CODE	(A) DIFFUSER OPENING	(B) SLOT/BAR WIDTH	(C) REQ. CEILING FRAME OPENING	(D) OVERALL PRODUCT DIMENSIONS	(E) GYPSUM BOARD THICKNESS	(Fx, Fy) STANDARD PLENUM BOX DIMENSIONS
<input type="checkbox"/>	S1202088	12" x 12"	7/8"	15.5" x 15.5"	18" x 18"	UP TO 5/8"	14" x 14"
<input type="checkbox"/>	S1802100	18" x 18"	1"	21.5" x 21.5"	24" x 24"	UP TO 5/8"	20" x 20"
<input type="checkbox"/>	S2402100	24" x 24"	1"	27.5" x 27.5"	30" x 30"	UP TO 5/8"	26" x 26"

DIFFUSER SPECIFICATIONS AND OPTIONS

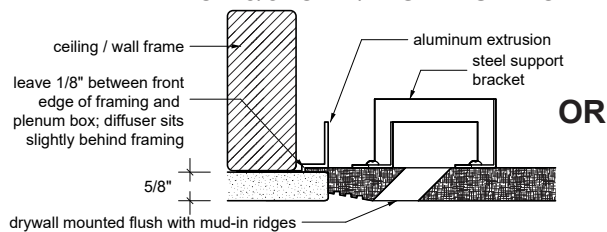
1) DIFFUSER FACE IS FIXED OR REMOVABLE



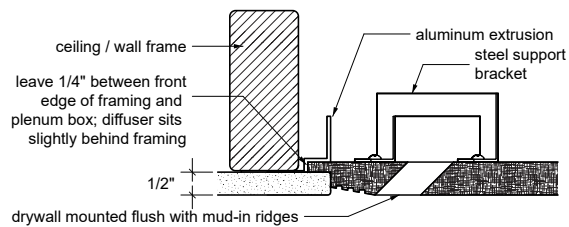
OR



2) DIFFUSER IS MADE FOR 5/8" OR 1/2" GYPSUM BOARD



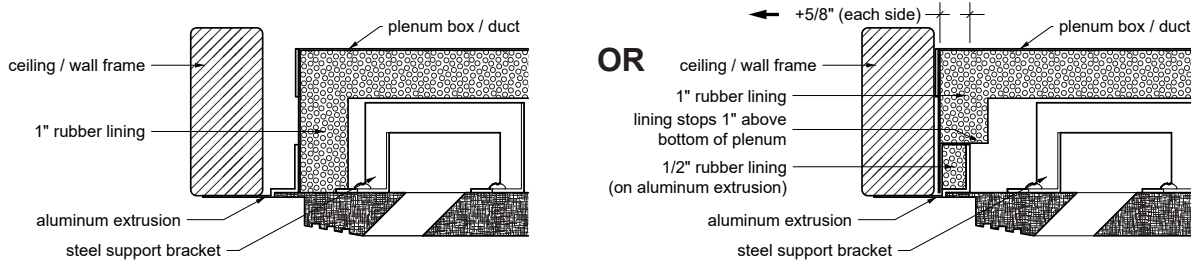
OR





MODEL S200
 ARCHITECTURAL SQUARE DIFFUSERS: 2 SLOT 45° OPENING
 FLUSH MOUNT, TAPE AND SPACKLE INSTALLATION

3) DIFFUSER INSTALLS INSIDE OR OUTSIDE OF PLENUM BOX



- STANDARD DIFFUSER-OUT INSTALLATION DIFFUSER-IN INSTALLATION (ADD 1.25" TO Fx and Fy)

DIFFUSER ORDER DETAILS

PRODUCT CODE	DIFFUSER OPENING	QTY	DIFFUSER FACE FIXED OR REMOVABLE (SPECIFY)	(E) GYPSUM BOARD THICKNESS (SPECIFY)	NOTES / OTHER SPECS
S1202088	12" x 12"				
	12" x 12"				
S1802100	18" x 18"				
	18" x 18"				
S2402100	24" x 24"				
	24" x 24"				

OPTIONAL PLENUM BOX ORDER SPECIFICATIONS *

* INVI LINEAR DIFFUSERS MAY USE A PLENUM BOX TO CONNECT TO DUCT WORK. THE TABLE BELOW SHOULD BE FILLED OUT IF YOU WISH TO PURCHASE PLENUM BOXES FROM INVI

** ADD 1.25" TO Dx AND Dy OVER STANDARD DIMENSIONS IF YOU CHOSE DIFFUSER-IN INSTALLATION

(Fx) ** PLENUM LENGTH	(Fy) ** PLENUM WIDTH	(Fz) PLENUM HEIGHT (SPECIFY)	QTY	DUCT CONNECTION TYPE	(G) COLLAR SIZE	COLLAR LOCATION (TOP / SIDE)	NOTES / OTHER SPECS

CONTRACTOR	
PROJECT	
ADDRESS	
ENGINEER	
PREPARED BY	

InviAir
 67 Guernsey St
 Brooklyn, NY 11222
 917-909-0343



PERFORMANCE DATA
INVAIR 2-SLOT SQUARE DIFFUSER, 45° OPENING



ALL PERFORMANCE DATA FROM TESTING CONDUCTED BY
 INTERTEK GROUP, IN ACCORDANCE WITH ASHRAE 70-06

DIFFUSER SIZE	AREA FACTOR (Ak)	PARAMETERS	PERFORMANCE						
			VOLUME (CFM)	STATIC PRESSURE (in. w.g.)	NOISE CRITERIA	THROW (ft. at 50 / 100 / 150 fpm)	150	200	250
12" x 12"	0.228	VOLUME (CFM)	150	200	250	300	350	400	
		STATIC PRESSURE (in. w.g.)	.019	.032	.048	.068	.091	.116	
		NOISE CRITERIA	<15	<15	<15	15	20	25	
		THROW (ft. at 50 / 100 / 150 fpm)	11 / 6 / 3	14 / 8 / 5	18 / 11 / 6	21 / 13 / 8	24 / 16 / 10	26 / 18 / 12	
18" x 18"	0.478	VOLUME (CFM)	225	338	450	563	675	788	
		STATIC PRESSURE (in. w.g.)	.009	.018	.030	.044	.060	.078	
		NOISE CRITERIA	<15	<15	19	24	29	33	
		THROW (ft. at 50 / 100 / 150 fpm)	10 / 4 / 2	14 / 7 / 4	17 / 9 / 6	21 / 12 / 8	24 / 14 / 10	26 / 17 / 12	
24" x 24"	0.744	VOLUME (CFM)	400	600	800	1000	1200	1400	
		STATIC PRESSURE (in. w.g.)	.014	.031	.055	.084	.121	.163	
		NOISE CRITERIA	<15	23	31	38	43	47	
		THROW (ft. at 50 / 100 / 150 fpm)	11 / 4 / 3	14 / 7 / 5	18 / 10 / 7	21 / 12 / 9	24 / 15 / 11	27 / 18 / 13	

NOTES: Volume (CFM): standard air density and isothermal conditions
 Static Pressure: inches of water gauge
 Noise Criteria: based on room attenuation of 10dB (sound power level re: 10-12 watts) with 1 diffuser operating
 Throw: projection distance in feet from the diffuser discharge at which the maximum velocity has been reduced to the specified terminal velocity
 Terminal Velocity: maximum velocity (Vt) in feet per minute, at the specified distance from the outlet face