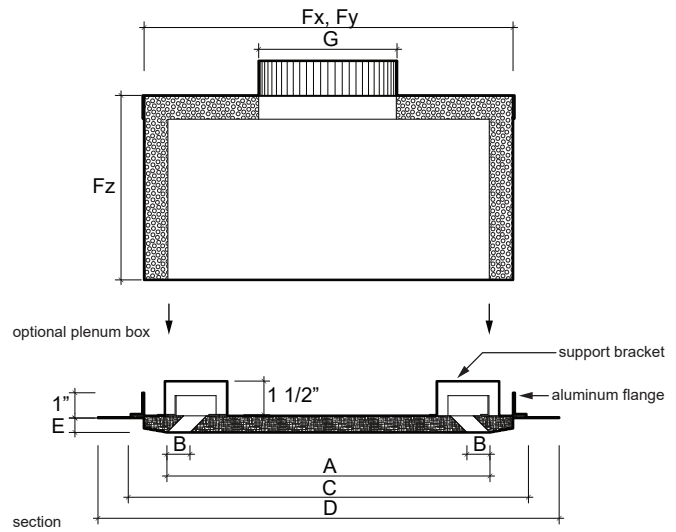
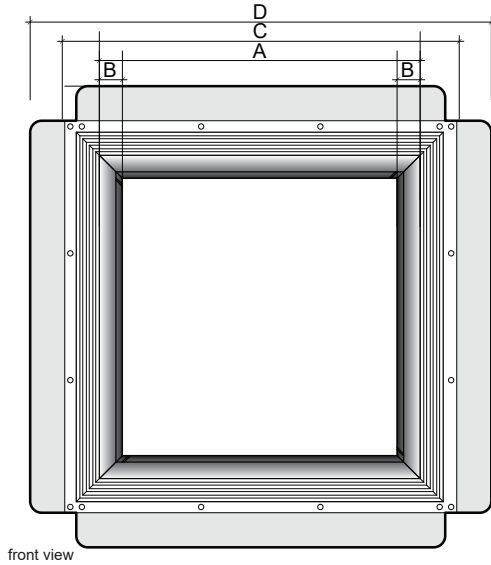




**MODEL S100**  
 ARCHITECTURAL SQUARE DIFFUSERS: 1 SLOT 45° OPENING  
 FLUSH MOUNT, TAPE AND SPACKLE INSTALLATION

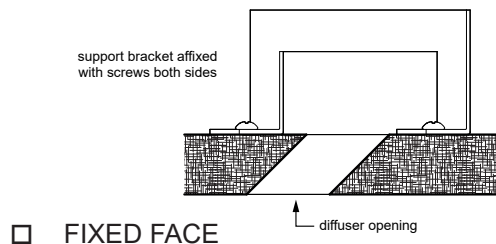


**PRODUCT DIMENSIONS**

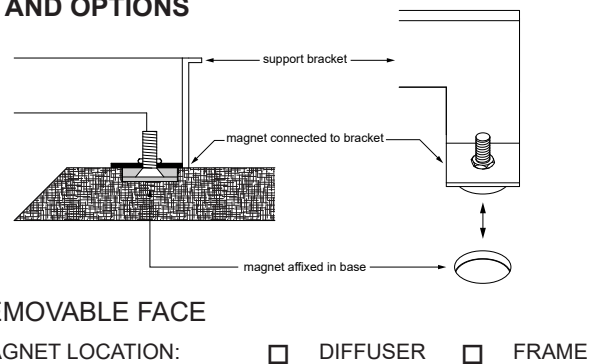
	PRODUCT CODE	(A) DIFFUSER OPENING	(B) SLOT WIDTH	(C) REQ. CEILING FRAME OPENING	(D) OVERALL PRODUCT DIMENSIONS	(E) GYPSUM BOARD THICKNESS	(Fx, Fy) STANDARD PLENUM BOX DIMENSIONS
<input type="checkbox"/>	S0801075	8" x 8"	3/4"	11.5" x 11.5"	14" x 14"	UP TO 5/8"	10" x 10"
<input type="checkbox"/>	S1201088	12" x 12"	7/8"	15.5" x 15.5"	18" x 18"	UP TO 5/8"	14" x 14"
<input type="checkbox"/>	S1801100	18" x 18"	1"	21.5" x 21.5"	24" x 24"	UP TO 5/8"	20" x 20"
<input type="checkbox"/>	S2401100	24" x 24"	1"	27.5" x 27.5"	30" x 30"	UP TO 5/8"	26" x 26"

**DIFFUSER SPECIFICATIONS AND OPTIONS**

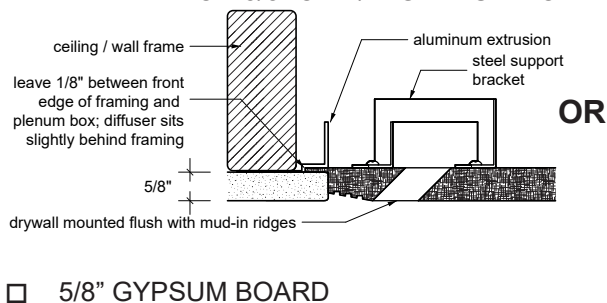
1) DIFFUSER FACE IS FIXED OR REMOVABLE



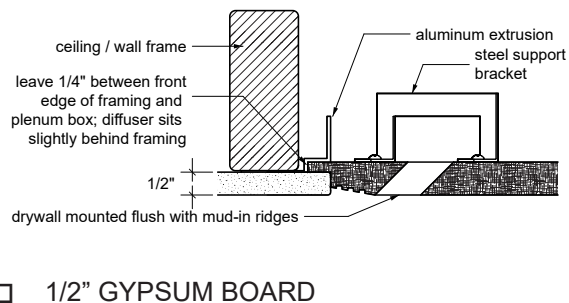
OR



2) DIFFUSER IS MADE FOR 5/8" OR 1/2" GYPSUM BOARD



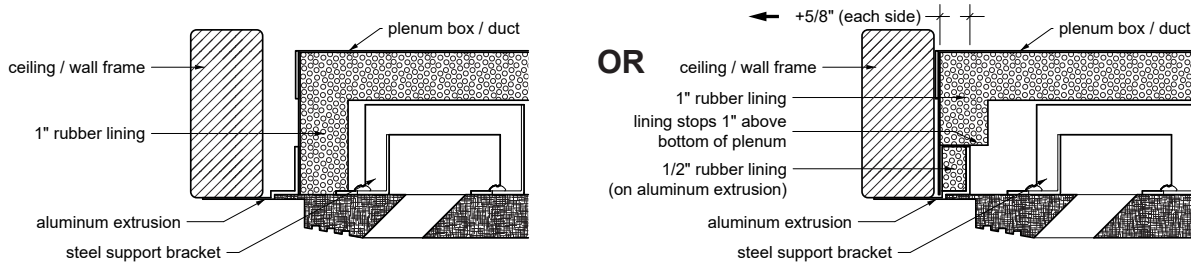
OR





**MODEL S100**  
**ARCHITECTURAL SQUARE DIFFUSERS: 1 SLOT 45° OPENING**  
**FLUSH MOUNT, TAPE AND SPACKLE INSTALLATION**

3) DIFFUSER INSTALLS INSIDE OR OUTSIDE OF PLENUM BOX



- STANDARD DIFFUSER-OUT INSTALLATION       DIFFUSER-IN INSTALLATION (ADD 1.25" TO Fx and Fy)

**DIFFUSER ORDER DETAILS**

PRODUCT CODE	DIFFUSER OPENING	QTY	DIFFUSER FACE FIXED OR REMOVABLE (SPECIFY)	(E) GYPSUM BOARD THICKNESS (SPECIFY)	NOTES / OTHER SPECS
S0801075	8" x 8"				
	8" x 8"				
S1201088	12" x 12"				
	12" x 12"				
S1801100	18" x 18"				
	18" x 18"				
S2401100	24" x 24"				
	24" x 24"				

**OPTIONAL PLENUM BOX ORDER SPECIFICATIONS \***

\* INVI LINEAR DIFFUSERS MAY USE A PLENUM BOX TO CONNECT TO DUCT WORK. THE TABLE BELOW SHOULD BE FILLED OUT IF YOU WISH TO PURCHASE PLENUM BOXES FROM INVI

\*\* ADD 1.25" TO Dx AND Dy OVER STANDARD DIMENSIONS IF YOU CHOSE DIFFUSER-IN INSTALLATION

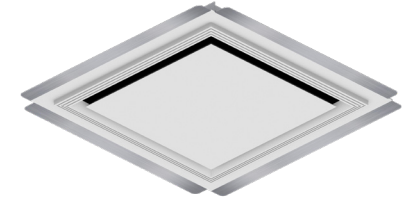
(Fx) ** PLENUM LENGTH	(Fy) ** PLENUM WIDTH	(Fz) PLENUM HEIGHT (SPECIFY)	QTY	DUCT CONNECTION TYPE	(G) COLLAR SIZE	COLLAR LOCATION (TOP / SIDE)	NOTES / OTHER SPECS

CONTRACTOR	
PROJECT	
ADDRESS	
ENGINEER	
PREPARED BY	

InviAir  
 67 Guernsey St  
 Brooklyn, NY 11222  
 917-909-0343



**PERFORMANCE DATA**  
**INVAIR 1-SLOT SQUARE DIFFUSER, 45° OPENING**



ALL PERFORMANCE DATA FROM TESTING CONDUCTED BY  
 INTERTEK GROUP, IN ACCORDANCE WITH ASHRAE 70-06

DIFFUSER SIZE	AREA FACTOR (Ak)	PARAMETERS	PERFORMANCE					
8" x 8"	0.067	VOLUME (CFM)	22	67	89	111	133	156
		STATIC PRESSURE (in. w.g.)	.005	.037	.064	.098	.139	.186
		NOISE CRITERIA	<15	<15	<15	<15	19	22
		THROW (ft. at 50 / 100 / 150 fpm)	7 / <2 / <2	12 / 8 / 5	14 / 10 / 7	16 / 12 / 9	18 / 14 / 11	19 / 15 / 12
12" x 12"	0.118	VOLUME (CFM)	50	100	150	200	250	300
		STATIC PRESSURE (in. w.g.)	.009	.033	.071	.121	.183	.257
		NOISE CRITERIA	<15	<15	<15	22	29	34
		THROW (ft. at 50 / 100 / 150 fpm)	8 / 2 / <2	10 / 5 / 3	13 / 9 / 5	15 / 11 / 8	17 / 14 / 9	18 / 16 / 11
18" x 18"	0.288	VOLUME (CFM)	113	225	338	450	563	675
		STATIC PRESSURE (in. w.g.)	.013	.049	.106	.185	.287	.411
		NOISE CRITERIA	<15	15	30	40	49	>50
		THROW (ft. at 50 / 100 / 150 fpm)	9 / 2 / <2	12 / 6 / 3	14 / 10 / 6	17 / 13 / 8	19 / 16 / 10	21 / 18 / 12
24" x 24"	0.520	VOLUME (CFM)	200	400	600	800	1000	1200
		STATIC PRESSURE (in. w.g.)	.004	.022	.061	.129	.228	.365
		NOISE CRITERIA	<15	19	31	40	46	>50
		THROW (ft. at 50 / 100 / 150 fpm)	9 / 2 / <2	13 / 6 / 3	16 / 10 / 6	19 / 13 / 8	22 / 16 / 10	25 / 19 / 12

NOTES: Volume (CFM): standard air density and isothermal conditions  
 Static Pressure: inches of water gauge  
 Noise Criteria: based on room attenuation of 10dB (sound power level re: 10-12 watts) with 1 diffuser operating  
 Throw: projection distance in feet from the diffuser discharge at which the maximum velocity has been reduced to the specified terminal velocity  
 Terminal Velocity: maximum velocity (Vt) in feet per minute, at the specified distance from the outlet face