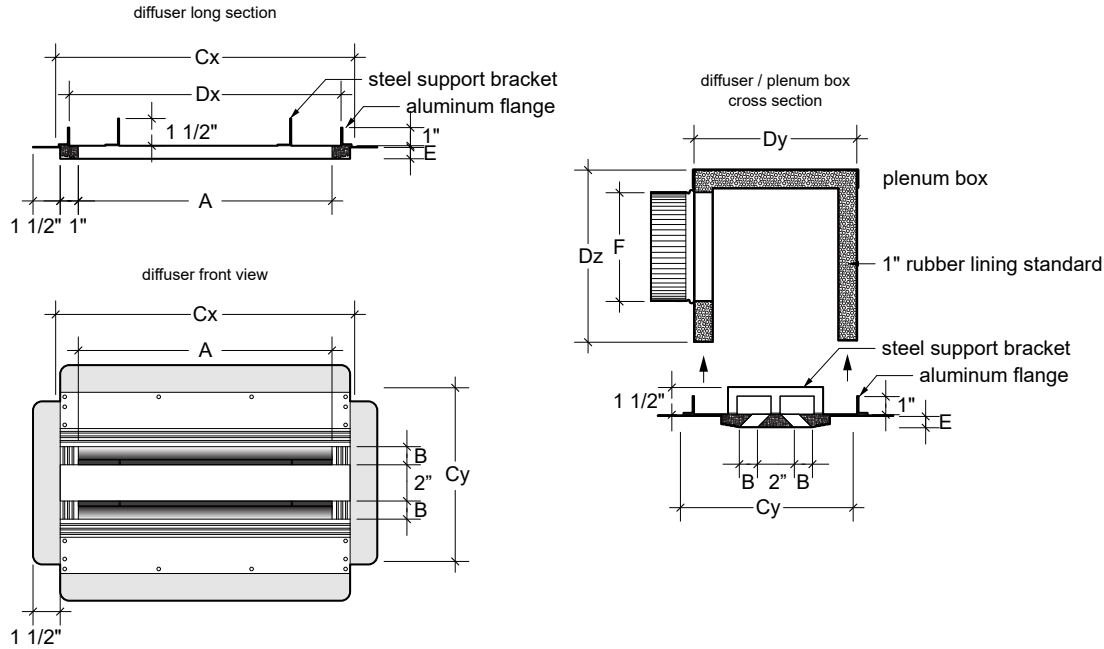


MODEL L245
ARCHITECTURAL LINEAR DIFFUSERS: 2 SLOT 45° OPENING
FLUSH MOUNT, TAPE AND SPACKLE INSTALLATION

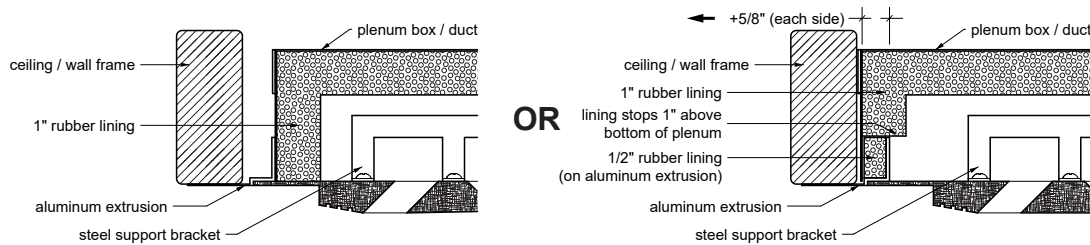


PRODUCT DIMENSIONS

	PRODUCT CODE	(A) DIFFUSER LENGTH	(B) SLOT WIDTH	(C) REQ. CEILING FRAME OPENING	(Dx, Dy) STANDARD PLENUM BOX / DUCT DIMENSIONS	(E) GYPSUM BOARD THICKNESS
<input type="checkbox"/>	L4502050	SPECIFY	1/2"	A + 2.5" x 9.5"	A + 1" x 8"	UP TO 5/8"
<input type="checkbox"/>	L4502075	SPECIFY	3/4"	A + 2.5" x 10"	A + 1" x 8.5"	UP TO 5/8"
<input type="checkbox"/>	L4502100	SPECIFY	1"	A + 2.5" x 10.5"	A + 1" x 9"	UP TO 5/8"
<input type="checkbox"/>	L4502150	SPECIFY	1 1/2"	A + 2.5" x 11.5"	A + 1" x 10"	UP TO 5/8"
<input type="checkbox"/>	L4502200	SPECIFY	2"	A + 2.5" x 12.5"	A + 1" x 11"	UP TO 5/8"

DIFFUSER SPECIFICATIONS AND OPTIONS

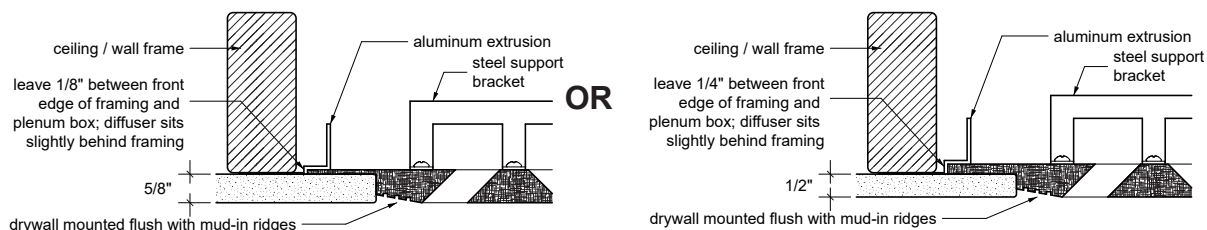
1) DIFFUSER INSTALLS INSIDE OR OUTSIDE OF PLENUM BOX OR DUCT



STANDARD DIFFUSER-OUT INSTALLATION

DIFFUSER-IN INSTALLATION (ADD 1.25" TO Dx and Dy)

2) DIFFUSER MADE FOR 5/8" OR 1/2" GYPSUM BOARD



5/8" GYPSUM BOARD

1/2" GYPSUM BOARD



MODEL L245
 ARCHITECTURAL LINEAR DIFFUSERS: 2 SLOT 45° OPENING
 FLUSH MOUNT, TAPE AND SPACKLE INSTALLATION

DIFFUSER ORDER DETAILS

PRODUCT CODE	(B) SLOT WIDTH	(A) DIFFUSER LENGTH	QTY	NOTES / OTHER SPECS
L4502050	1/2"			
	1/2"			
	1/2"			
L4502075	3/4"			
	3/4"			
	3/4"			
L4502100	1"			
	1"			
	1"			
L4502150	1 1/2"			
	1 1/2"			
	1 1/2"			
L4502200	2"			
	2"			
	2"			

OPTIONAL PLENUM BOX ORDER SPECIFICATIONS *

* INVI LINEAR DIFFUSERS MAY USE A PLENUM BOX TO CONNECT TO DUCT WORK. THE TABLE BELOW SHOULD BE FILLED OUT IF YOU WISH TO PURCHASE PLENUM BOXES FROM INVI

** ADD 1.25" TO Dx AND Dy OVER STANDARD DIMENSIONS IF YOU CHOSE DIFFUSER-IN INSTALLATION

(Dx) ** PLENUM LENGTH	(Dy) ** PLENUM WIDTH	(Dz) PLENUM HEIGHT (SPECIFY)	QTY	DUCT CONNECTION TYPE	(F) COLLAR SIZE	COLLAR LOCATION (TOP / SIDE / END)	NOTES / OTHER SPECS

CONTRACTOR	
PROJECT	
ADDRESS	
ENGINEER	
PREPARED BY	

InviAir
 67 Guernsey St
 Brooklyn, NY 11222
 917-909-0343



PERFORMANCE DATA

INVAIR 2-SLOT LINEAR DIFFUSER, 45° OPENING

ALL PERFORMANCE DATA FROM TESTING CONDUCTED BY INTERTEK GROUP, IN ACCORDANCE WITH ASHRAE 70-06



SLOT WIDTH	AREA FACTOR (Ak per ft)	PARAMETERS	PERFORMANCE						
0.5"	0.054	VOLUME (CFM / ft. of length)	25	42	50	67	75	83	92
		STATIC PRESSURE (in. w.g.)	.010	.029	.041	.074	.093	.116	.140
		NOISE CRITERIA	<15	<15	<15	17	20	23	25
		THROW (ft. at 50 / 100 / 150 fpm)	5 / <2 / <2	10 / 4 / 2	12 / 6 / 3	17 / 8 / 4	20 / 10 / 5	24 / 11 / 5	27 / 13 / 6
0.75"	0.073	VOLUME (CFM / ft. of length)	25	50	63	75	88	100	125
		STATIC PRESSURE (in. w.g.)	.008	.028	.042	.059	.078	.100	.151
		NOISE CRITERIA	<15	<15	<15	17	22	26	33
		THROW (ft. at 50 / 100 / 150 fpm)	4 / <2 / <2	7 / 3 / 2	9 / 5 / 3	12 / 7 / 4	14 / 8 / 5	17 / 10 / 6	24 / 13 / 8
1.0"	0.090	VOLUME (CFM / ft. of length)	33	67	83	100	117	133	150
		STATIC PRESSURE (in. w.g.)	.010	.037	.055	.077	.102	.131	.162
		NOISE CRITERIA	<15	<15	17	24	29	34	38
		THROW (ft. at 50 / 100 / 150 fpm)	4 / <2 / <2	8 / 4 / 2	10 / 6 / 4	13 / 8 / 5	15 / 10 / 6	18 / 12 / 7	22 / 13 / 9
1.5"	0.118	VOLUME (CFM / ft. of length)	50	75	100	125	150	175	200
		STATIC PRESSURE (in. w.g.)	.013	.029	.051	.080	.115	.156	.205
		NOISE CRITERIA	<15	<15	19	27	34	40	46
		THROW (ft. at 50 / 100 / 150 fpm)	5 / <2 / <2	8 / 3 / <2	11 / 6 / 3	14 / 9 / 5	18 / 11 / 6	21 / 14 / 8	24 / 16 / 9
2"	0.144	VOLUME (CFM / ft. of length)	67	100	133	167	200	233	267
		STATIC PRESSURE (in. w.g.)	.013	.032	.062	.102	.154	.219	.296
		NOISE CRITERIA	<15	17	28	36	42	48	>50
		THROW (ft. at 50 / 100 / 150 fpm)	8 / <2 / <2	13 / 5 / <2	18 / 8 / 3	23 / 12 / 5	27 / 15 / 6	31 / 19 / 8	34 / 22 / 10

NOTES: Volume (CFM): standard air density and isothermal conditions

Static Pressure: inches of water gauge

Noise Criteria: based on room attenuation of 10dB (sound power level re: 10-12 watts) with 1 diffuser operating

Throw: projection distance in feet from the diffuser discharge at which the maximum velocity has been reduced to the specified terminal velocity

Terminal Velocity: maximum velocity (Vt) in feet per minute, at the specified distance from the outlet face

Actual samples used for testing measured 4 feet in length

NOISE CRITERIA (NC) ADJUSTMENTS FOR VARIOUS LENGTHS			
24" = -3 NC	48" = ±0 NC	60" = +1 NC	96" = +3 NC