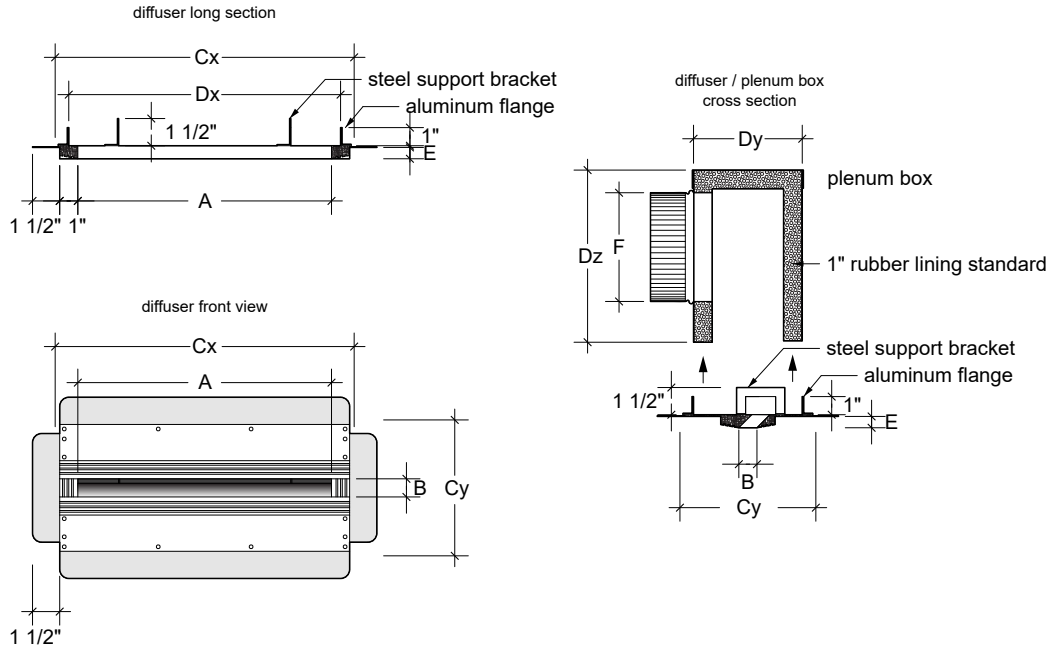


MODEL L145
ARCHITECTURAL LINEAR DIFFUSERS: 1 SLOT 45° OPENING
FLUSH MOUNT, TAPE AND SPACKLE INSTALLATION

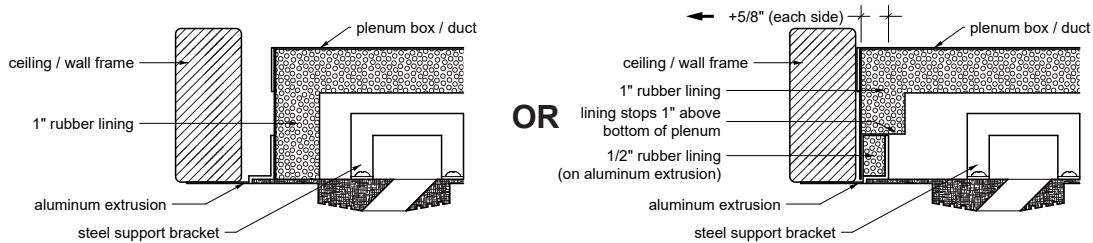


PRODUCT DIMENSIONS

	PRODUCT CODE	(A) DIFFUSER LENGTH	(B) SLOT WIDTH	(C) REQ. CEILING FRAME OPENING	(Dx, Dy) STANDARD PLENUM BOX / DUCT DIMENSIONS	(E) GYPSUM BOARD THICKNESS
<input type="checkbox"/>	L4501050	SPECIFY	1/2"	A + 2.5" x 7"	A + 1" x 5.5"	UP TO 5/8"
<input type="checkbox"/>	L4501075	SPECIFY	3/4"	A + 2.5" x 7.25"	A + 1" x 5.75"	UP TO 5/8"
<input type="checkbox"/>	L4501100	SPECIFY	1"	A + 2.5" x 7.5"	A + 1" x 6"	UP TO 5/8"
<input type="checkbox"/>	L4501150	SPECIFY	1 1/2"	A + 2.5" x 8"	A + 1" x 6.5"	UP TO 5/8"
<input type="checkbox"/>	L4501200	SPECIFY	2"	A + 2.5" x 8.5"	A + 1" x 7"	UP TO 5/8"

DIFFUSER SPECIFICATIONS AND OPTIONS

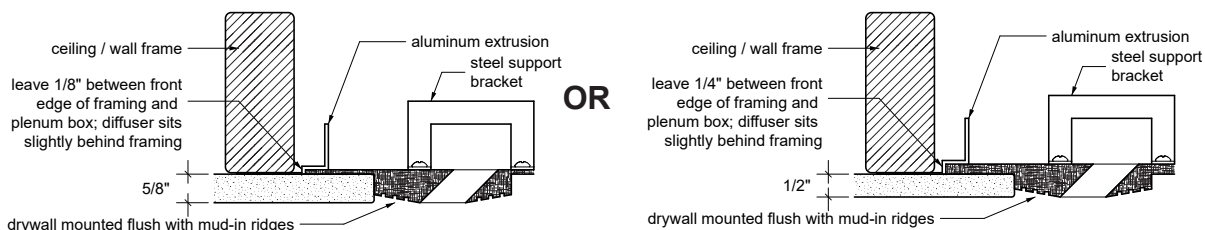
1) DIFFUSER INSTALLS INSIDE OR OUTSIDE OF PLENUM BOX OR DUCT



STANDARD DIFFUSER-OUT INSTALLATION

DIFFUSER-IN INSTALLATION (ADD 1.25" TO Dx and Dy)

2) DIFFUSER MADE FOR 5/8" OR 1/2" GYPSUM BOARD



5/8" GYPSUM BOARD

1/2" GYPSUM BOARD



MODEL L145
ARCHITECTURAL LINEAR DIFFUSERS: 1 SLOT 45° OPENING
FLUSH MOUNT, TAPE AND SPACKLE INSTALLATION

DIFFUSER ORDER DETAILS

PRODUCT CODE	(B) SLOT WIDTH	(A) DIFFUSER LENGTH	QTY	NOTES / OTHER SPECS
L4501050	1/2"			
	1/2"			
	1/2"			
L4501075	3/4"			
	3/4"			
	3/4"			
L4501100	1"			
	1"			
	1"			
L4501150	1 1/2"			
	1 1/2"			
	1 1/2"			
L4501200	2"			
	2"			
	2"			

OPTIONAL PLENUM BOX ORDER SPECIFICATIONS *

* INVI LINEAR DIFFUSERS MAY USE A PLENUM BOX TO CONNECT TO DUCT WORK. THE TABLE BELOW SHOULD BE FILLED OUT IF YOU WISH TO PURCHASE PLENUM BOXES FROM INVI

** ADD 1.25" TO Dx AND Dy OVER STANDARD DIMENSIONS IF YOU CHOSE DIFFUSER-IN INSTALLATION

(Dx) ** PLENUM LENGTH	(Dy) ** PLENUM WIDTH	(Dz) PLENUM HEIGHT (SPECIFY)	QTY	DUCT CONNECTION TYPE	(F) COLLAR SIZE	COLLAR LOCATION (TOP / SIDE / END)	NOTES / OTHER SPECS

CONTRACTOR	
PROJECT	
ADDRESS	
ENGINEER	
PREPARED BY	

InviAir
 67 Guernsey St
 Brooklyn, NY 11222
 917-909-0343



PERFORMANCE DATA

INVAIR 1-SLOT LINEAR DIFFUSER, 45° OPENING

ALL PERFORMANCE DATA FROM TESTING CONDUCTED BY INTERTEK GROUP, IN ACCORDANCE WITH ASHRAE 70-06



SLOT WIDTH	AREA FACTOR (Ak per ft)	PARAMETERS	PERFORMANCE					
0.5"	0.026	VOLUME (CFM / ft. of length)	19	31	38	50	63	69
		STATIC PRESSURE (in. w.g.)	.016	.047	.068	.121	.191	.232
		NOISE CRITERIA	<15	<15	<15	<15	20	22
		THROW (ft. at 50 / 100 / 150 fpm)	7 / 2 / <2	13 / 6 / 3	16 / 9 / 5	21 / 14 / 8	25 / 19 / 13	27 / 22 / 15
0.75"	0.035	VOLUME (CFM / ft. of length)	28	38	47	56	66	75
		STATIC PRESSURE (in. w.g.)	.043	.074	.111	.156	.207	.265
		NOISE CRITERIA	<15	<15	<15	<15	19	23
		THROW (ft. at 50 / 100 / 150 fpm)	9 / 4 / 2	12 / 6 / 4	15 / 8 / 5	18 / 11 / 7	20 / 13 / 9	23 / 16 / 11
1.0"	0.042	VOLUME (CFM / ft. of length)	38	50	63	75	88	100
		STATIC PRESSURE (in. w.g.)	.061	.103	.155	.216	.285	.364
		NOISE CRITERIA	<15	<15	18	23	28	31
		THROW (ft. at 50 / 100 / 150 fpm)	11 / 5 / 3	14 / 8 / 5	17 / 10 / 7	20 / 13 / 9	23 / 15 / 11	25 / 18 / 13
1.5"	0.058	VOLUME (CFM / ft. of length)	56	75	94	113	131	150
		STATIC PRESSURE (in. w.g.)	.071	.119	.179	.250	.331	.423
		NOISE CRITERIA	<15	22	29	35	39	43
		THROW (ft. at 50 / 100 / 150 fpm)	13 / 7 / 4	17 / 10 / 6	20 / 13 / 9	24 / 16 / 11	27 / 18 / 13	29 / 21 / 15
2"	0.072	VOLUME (CFM / ft. of length)	75	100	125	150	175	200
		STATIC PRESSURE (in. w.g.)	.044	.077	.120	.171	.230	.299
		NOISE CRITERIA	<15	23	32	38	44	49
		THROW (ft. at 50 / 100 / 150 fpm)	14 / 8 / 4	19 / 11 / 6	23 / 15 / 8	27 / 18 / 10	30 / 21 / 12	33 / 24 / 15

NOTES: Volume (CFM): standard air density and isothermal conditions

Static Pressure: inches of water gauge

Noise Criteria: based on room attenuation of 10dB (sound power level re: 10-12 watts) with 1 diffuser operating

Throw: projection distance in feet from the diffuser discharge at which the maximum velocity has been reduced to the specified terminal velocity

Terminal Velocity: maximum velocity (Vt) in feet per minute, at the specified distance from the outlet face

Actual samples used for testing measured 4 feet in length

NOISE CRITERIA (NC) ADJUSTMENTS FOR VARIOUS LENGTHS			
24" = -3 NC	48" = ±0 NC	60" = +1 NC	96" = +3 NC